

8 7 6 5 4 3 2 1

D

D

C

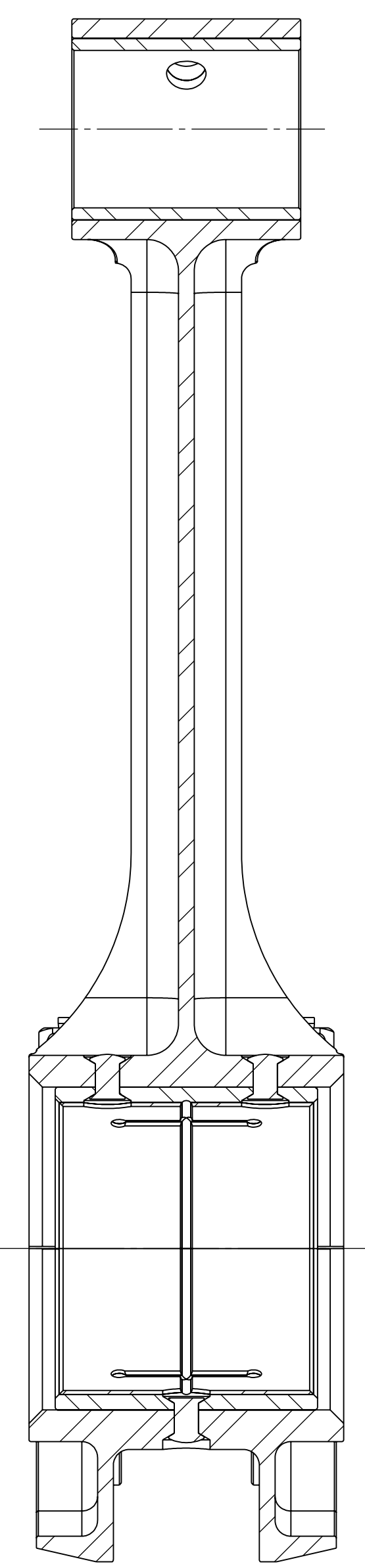
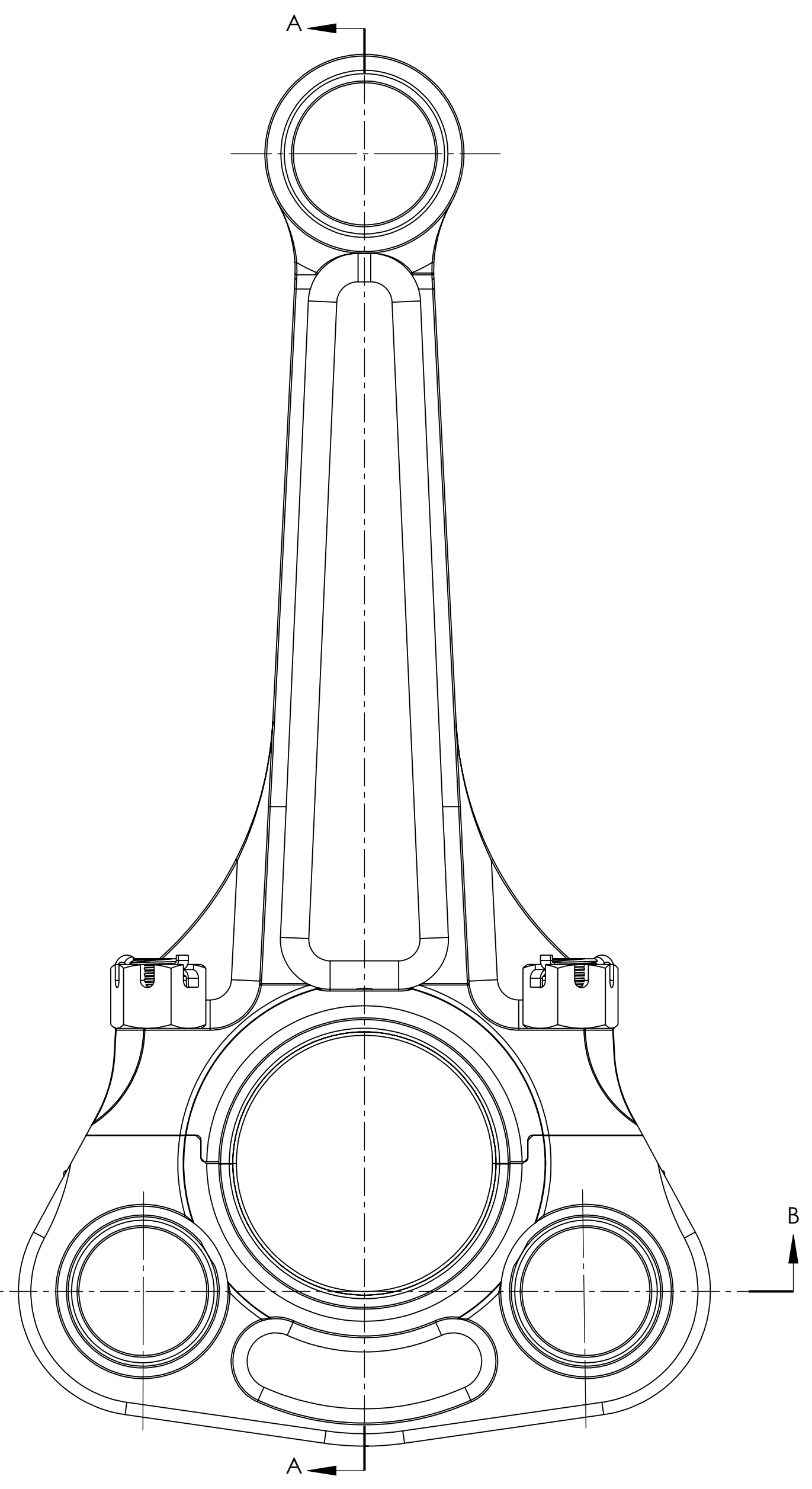
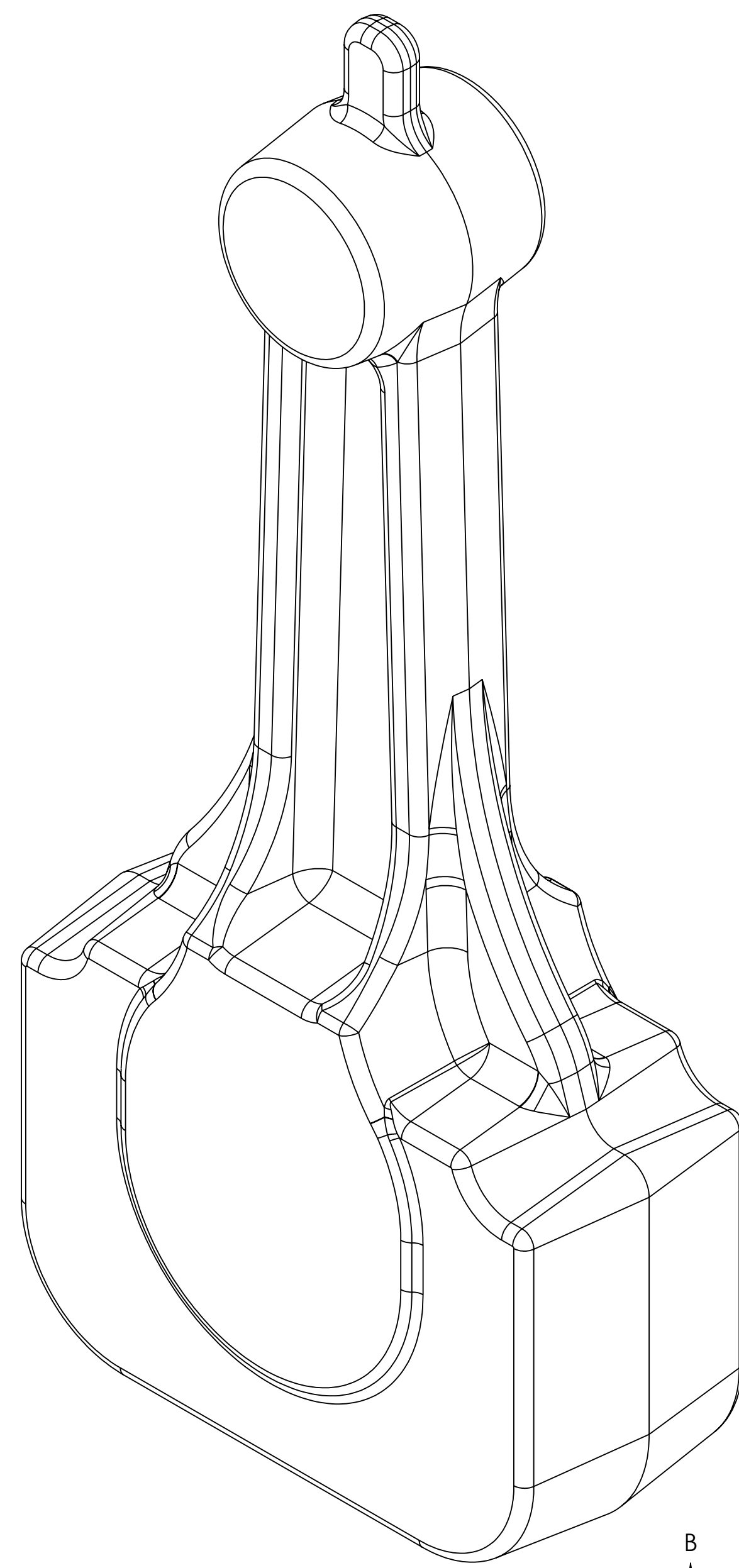
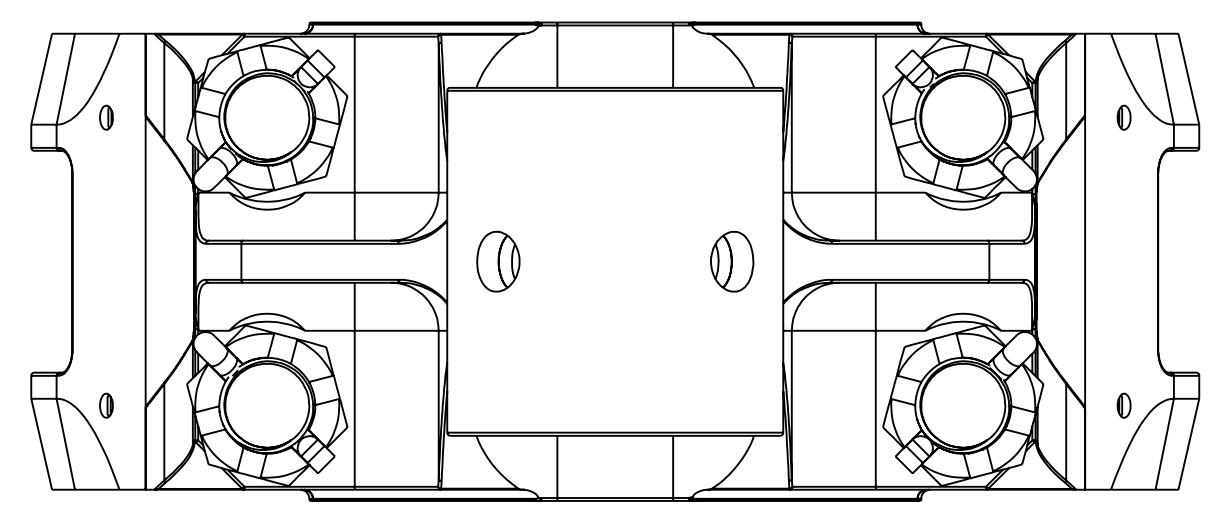
C

B

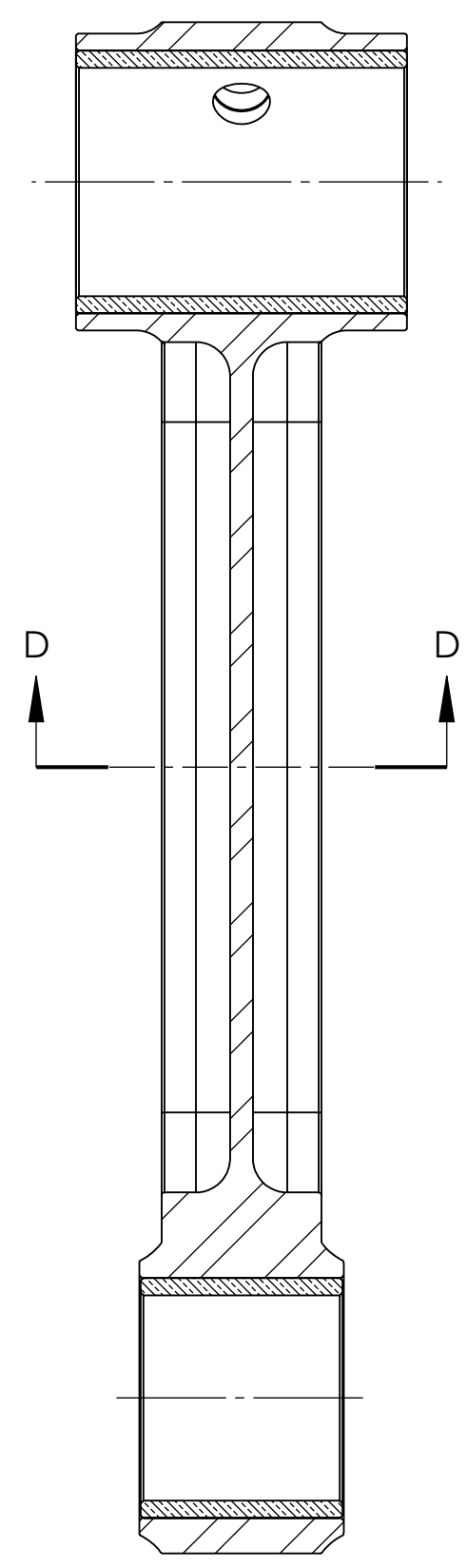
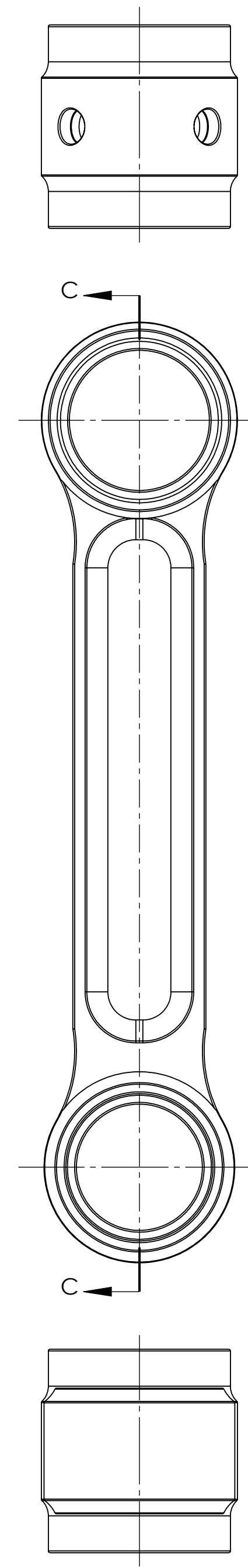
B

A

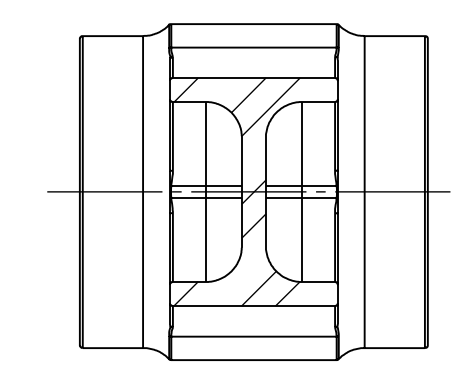
A



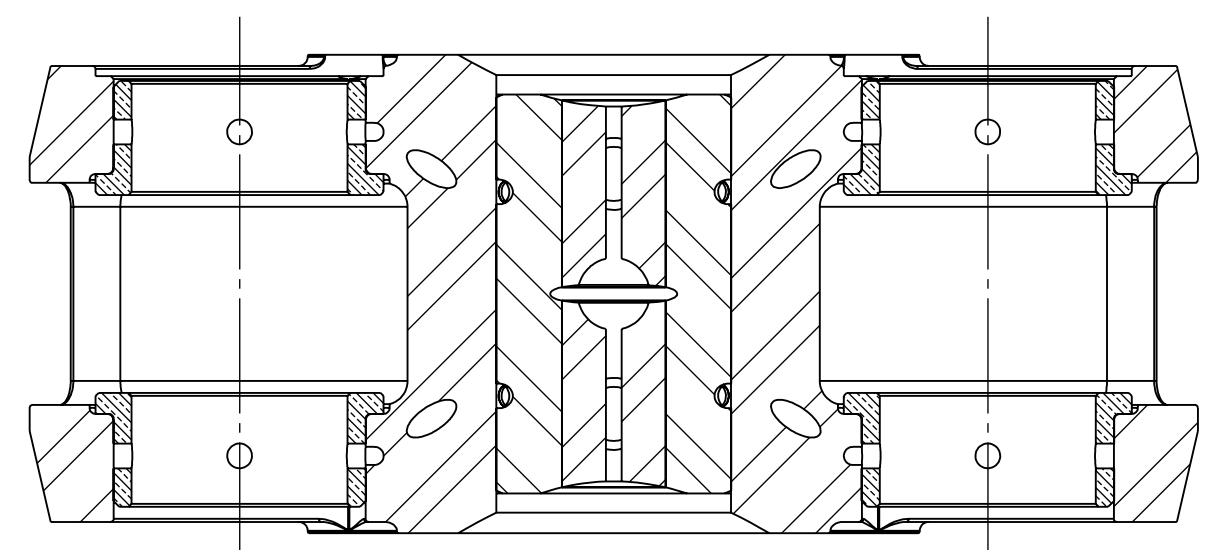
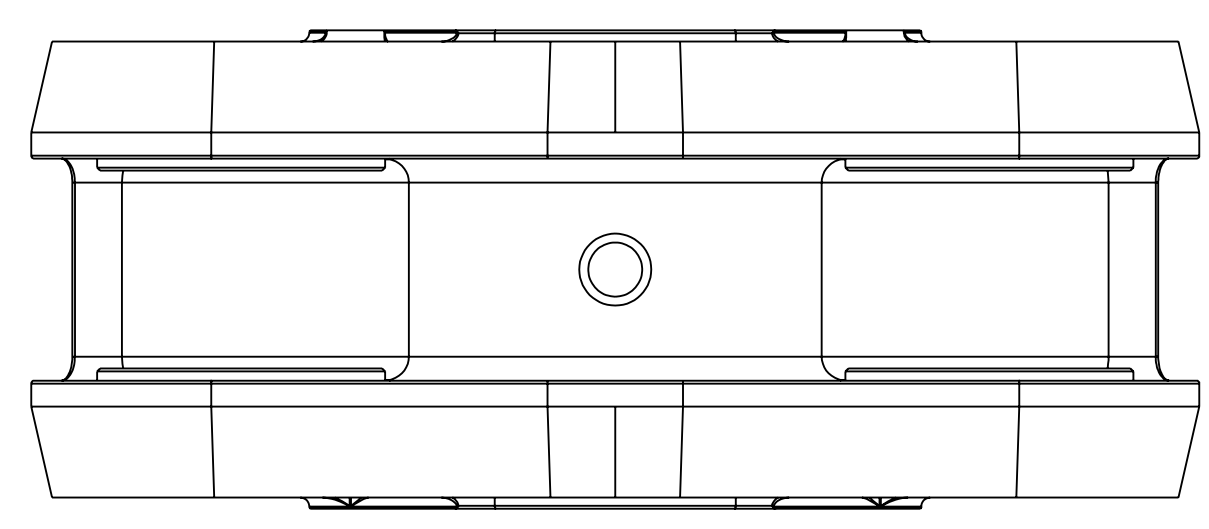
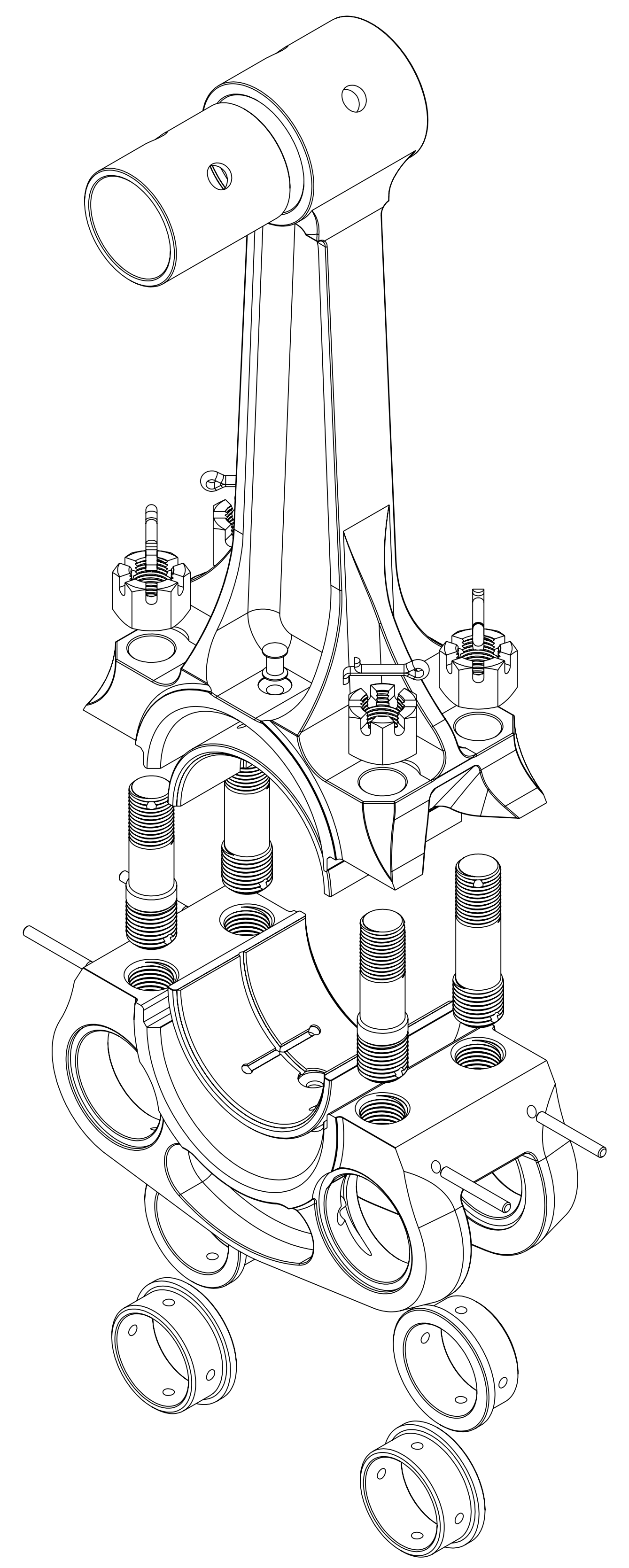
SECTION A-A



SECTION C-C



SECTION D-D



SECTION B-B

NOTE:
 These drawings may be used solely for non-commercial use such as historical research,
 exhibition, model-making, or for non-profit restoration purposes. Models or restored aircraft
 must remain inoperable and incapable of flight. Drawings may not be used to restore operable
 aircraft, or engines, to an airworthy status or building flyable or operable reproductions or restorations.

C-10608 Master Conn Rod Assy (Experimental).
C-10605 Articulated Conn Rod Assy (Experimental).
Master Rod assy used for R-600 engine R&D.
J Riend 06nov22

8 7 6 5 4 3 2 1