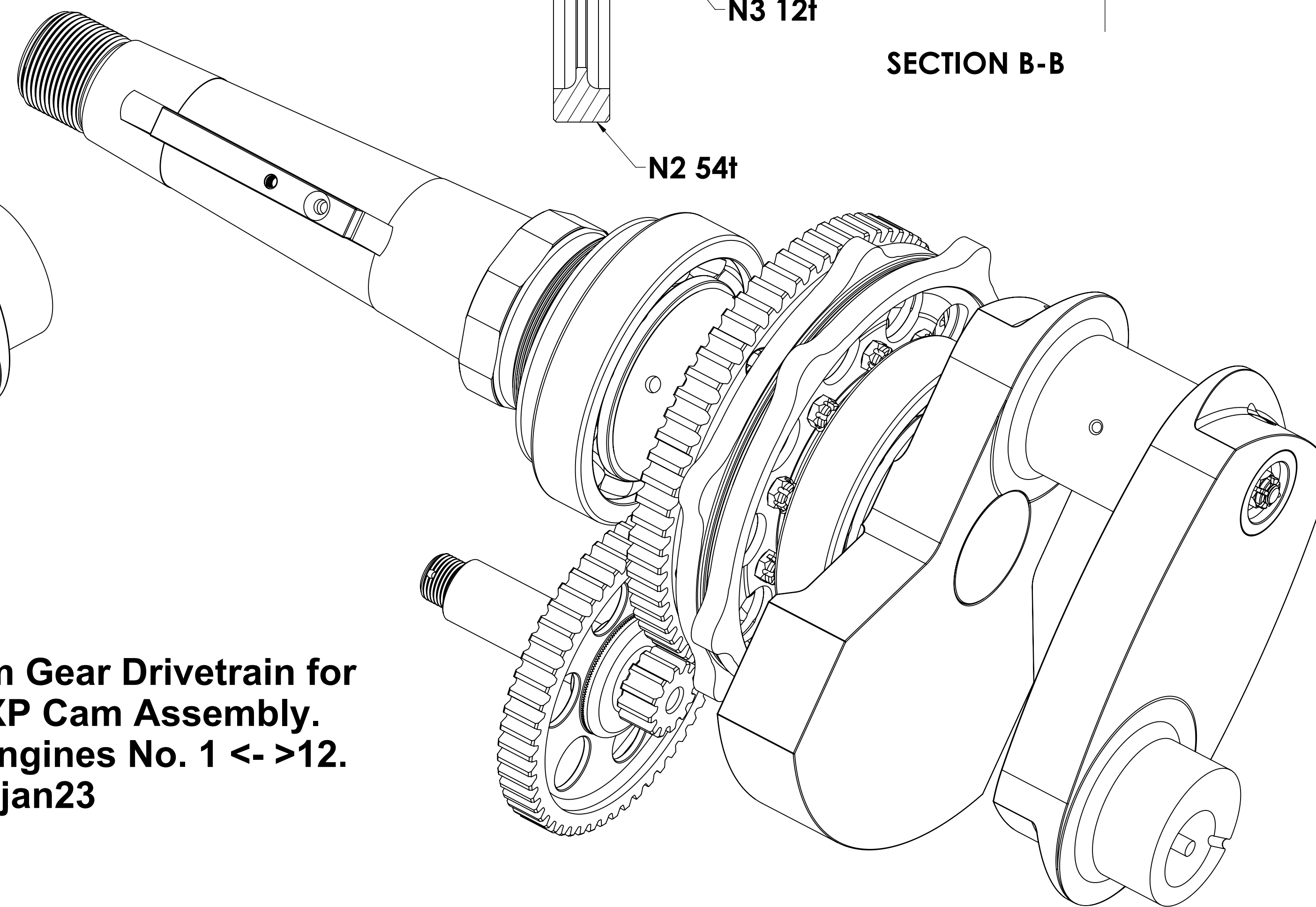
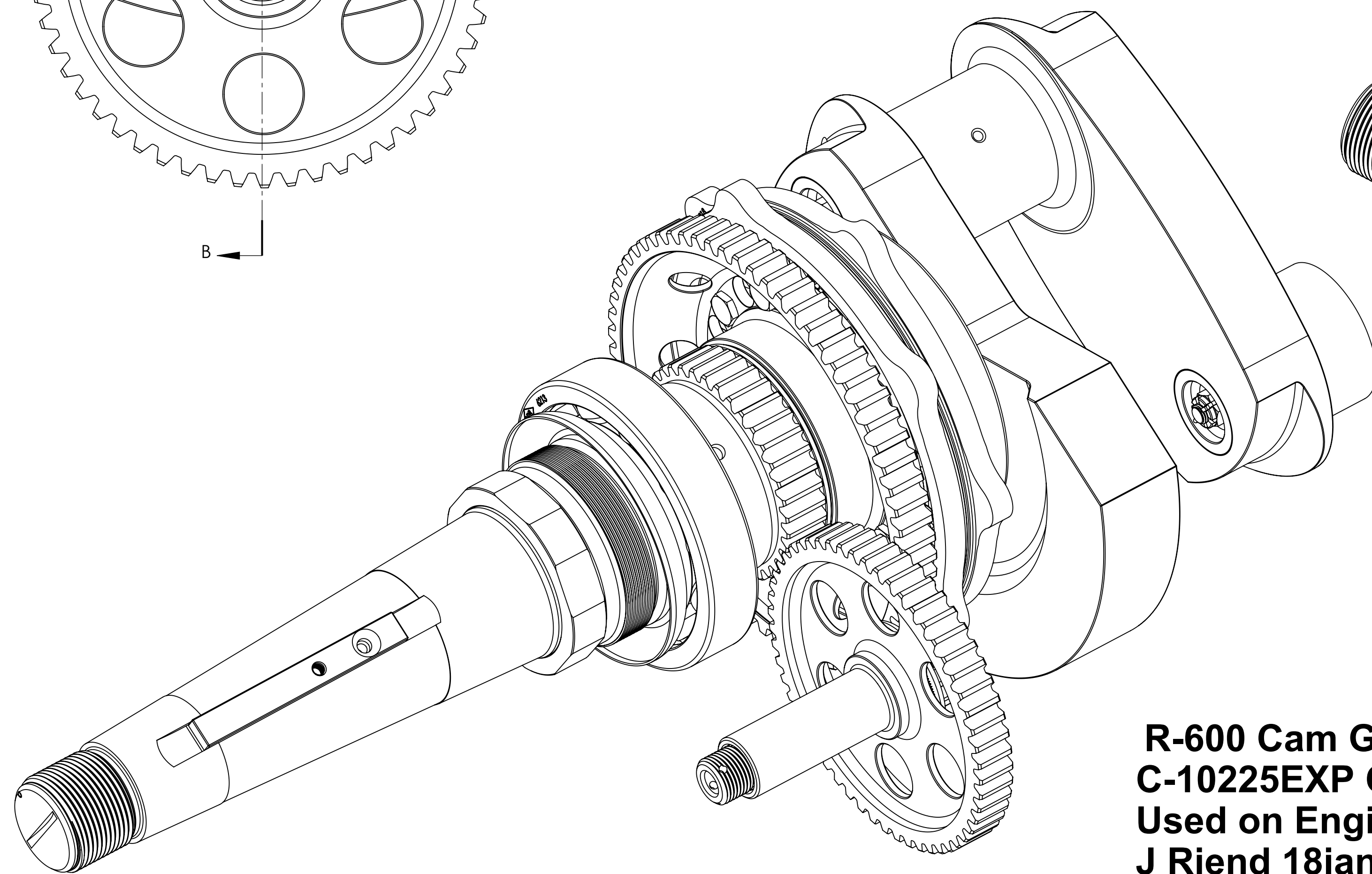


**Cam Drive Ratio: R = 0.1000**  
**Ratio = N1/N2 x N3/N4**  
**36/54 x 12/80 = 0.1000**

**SECTION B-B**



**R-600 Cam Gear Drivetrain for**  
**C-10225EXP Cam Assembly.**  
**Used on Engines No. 1 <- >12.**  
**J Riend 18jan23**