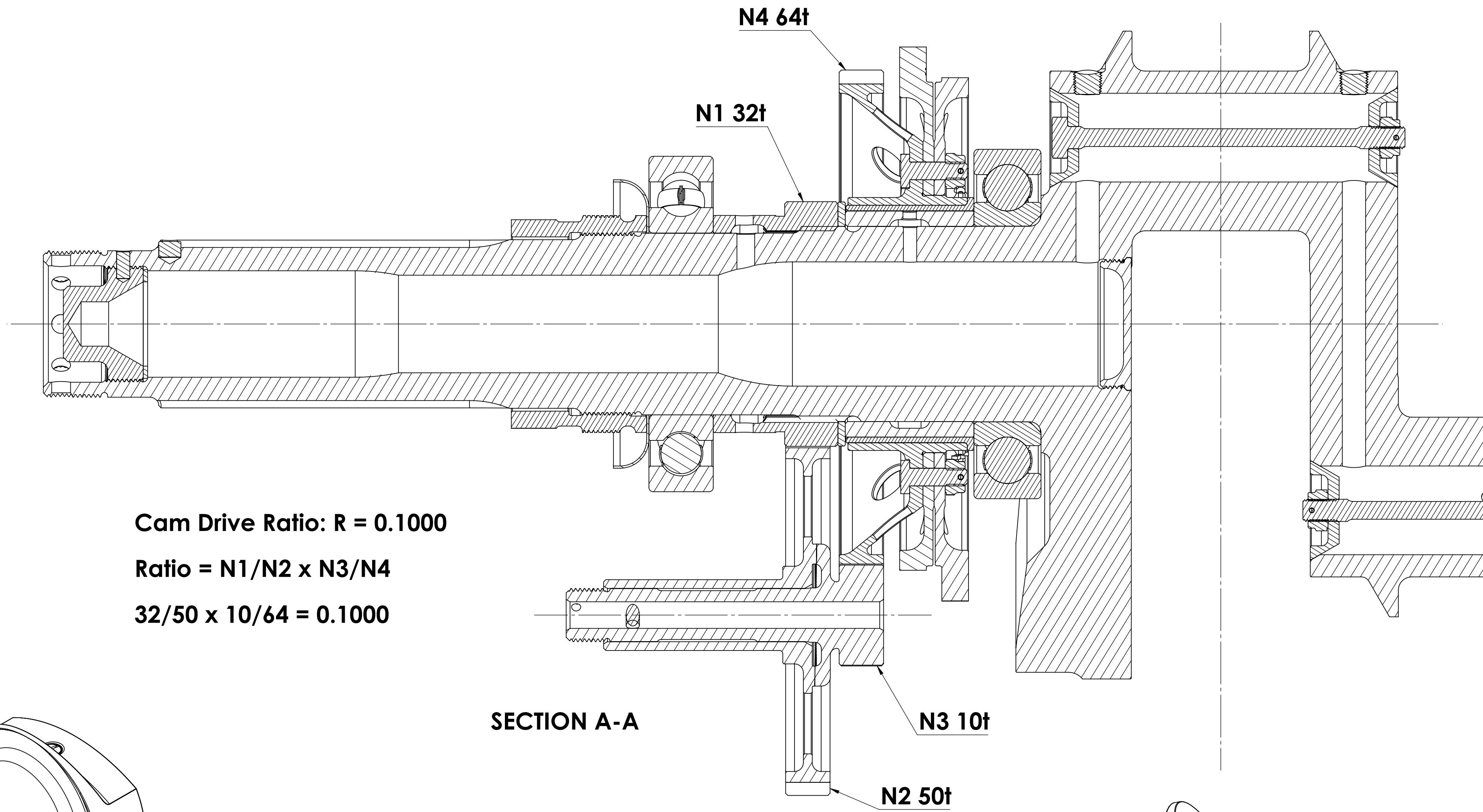
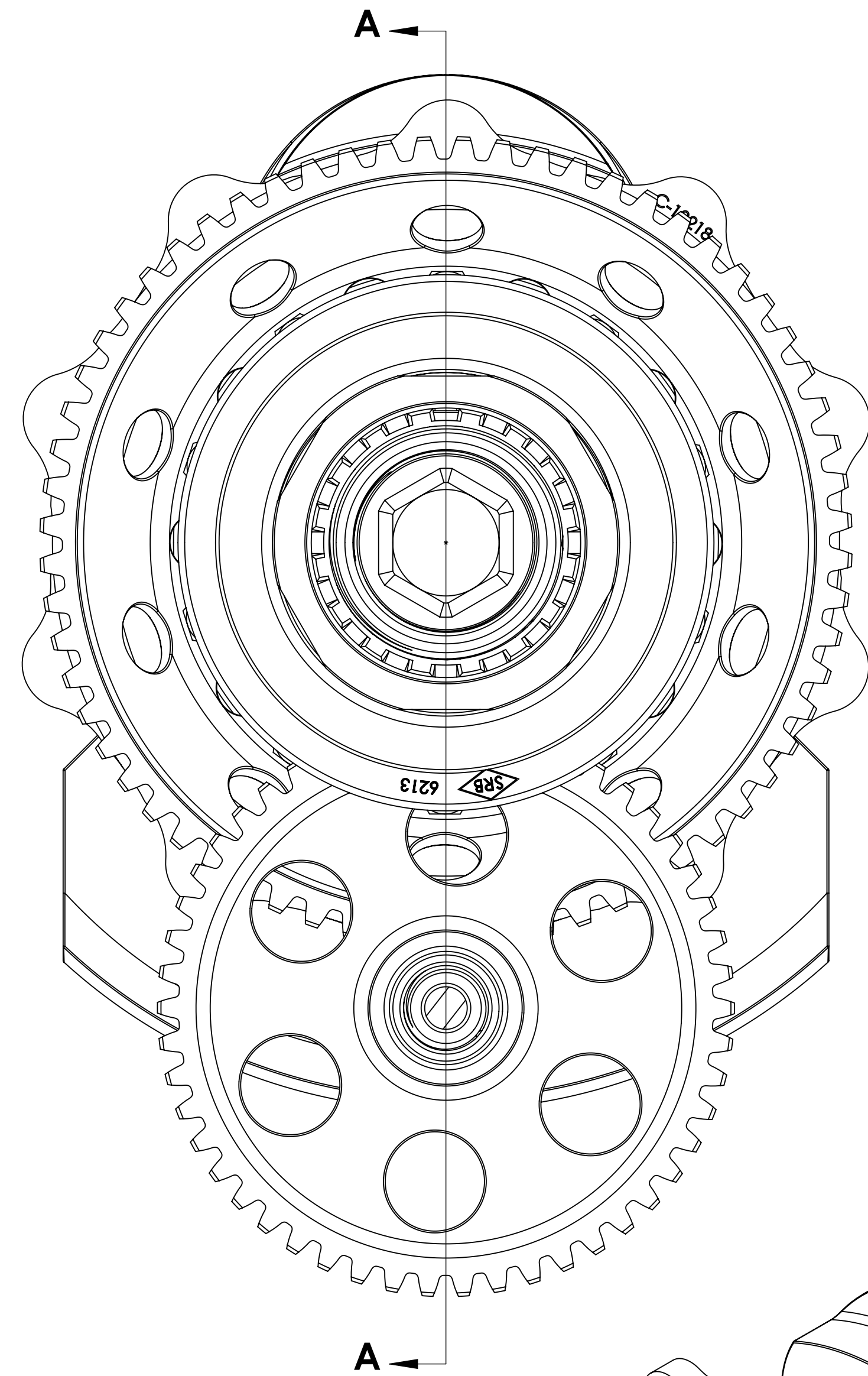


8 7 6 5 4 3 2 1



Cam Drive Ratio: R = 0.1000
Ratio = N1/N2 x N3/N4
32/50 x 10/64 = 0.1000

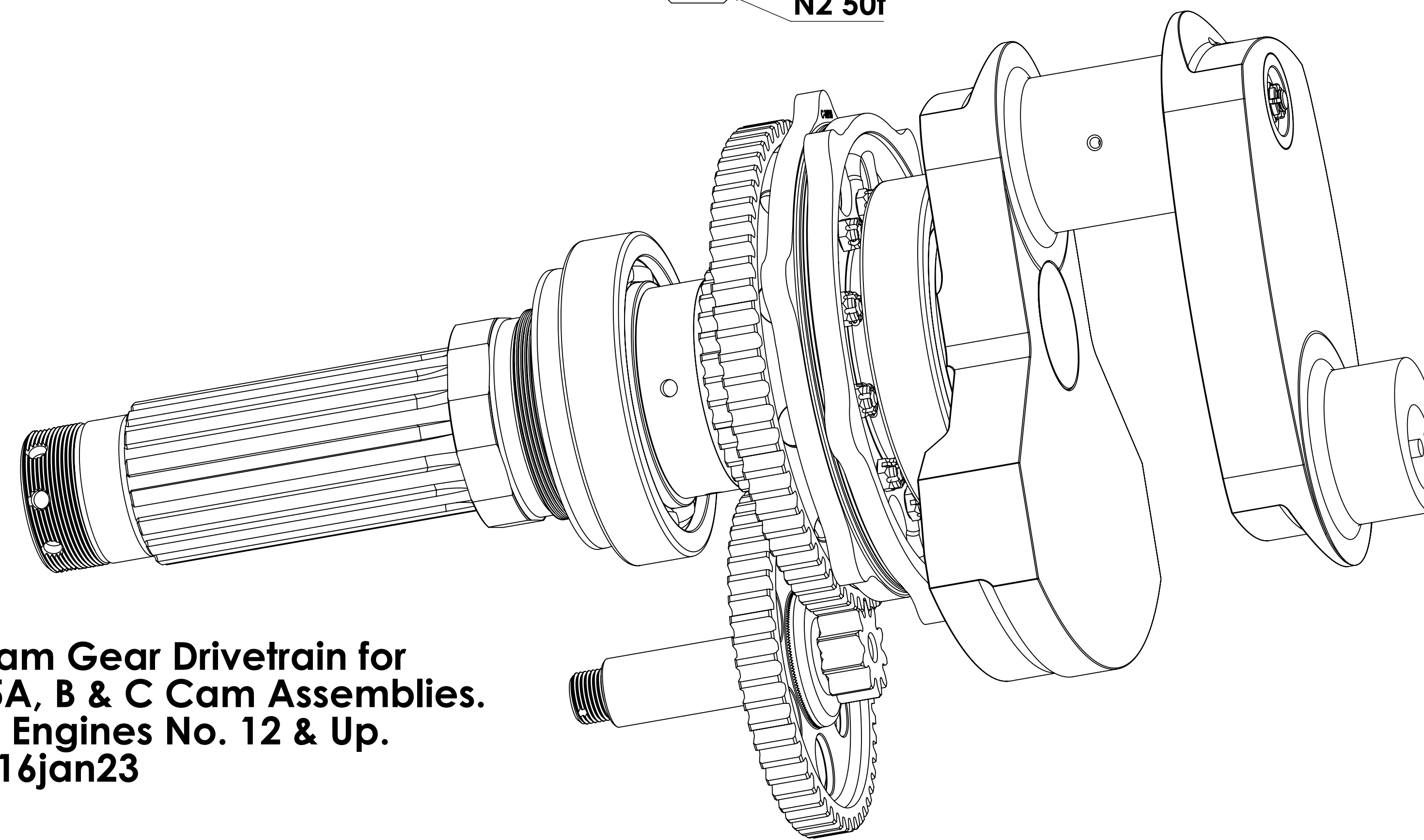
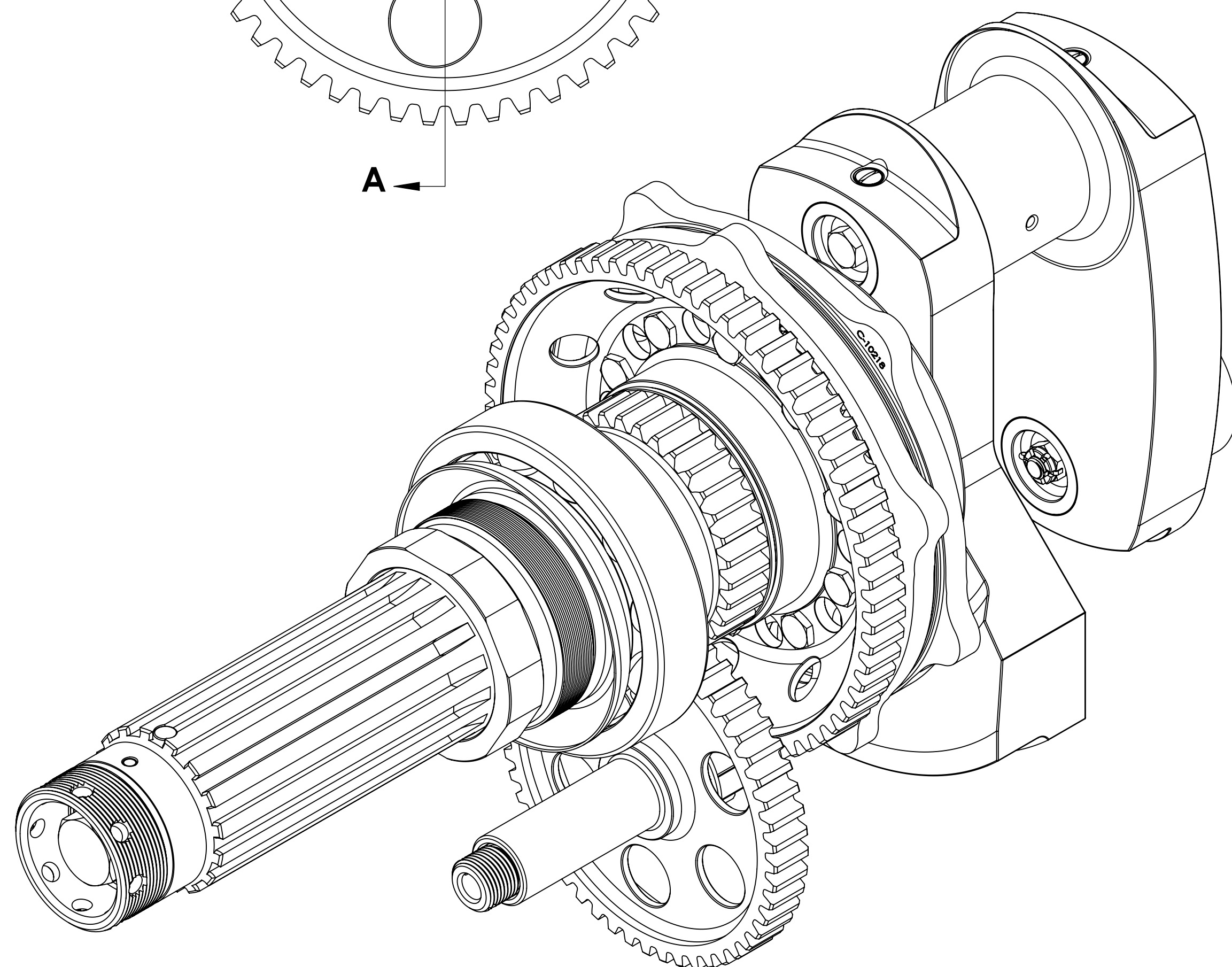
SECTION A-A

N4 64t

N1 32t

N3 10t

N2 50t



**R-600 Cam Gear Drivetrain for
 C-10225A, B & C Cam Assemblies.
 Used on Engines No. 12 & Up.
 J Riend 16jan23**

8 7 6 5 4 3 2 1