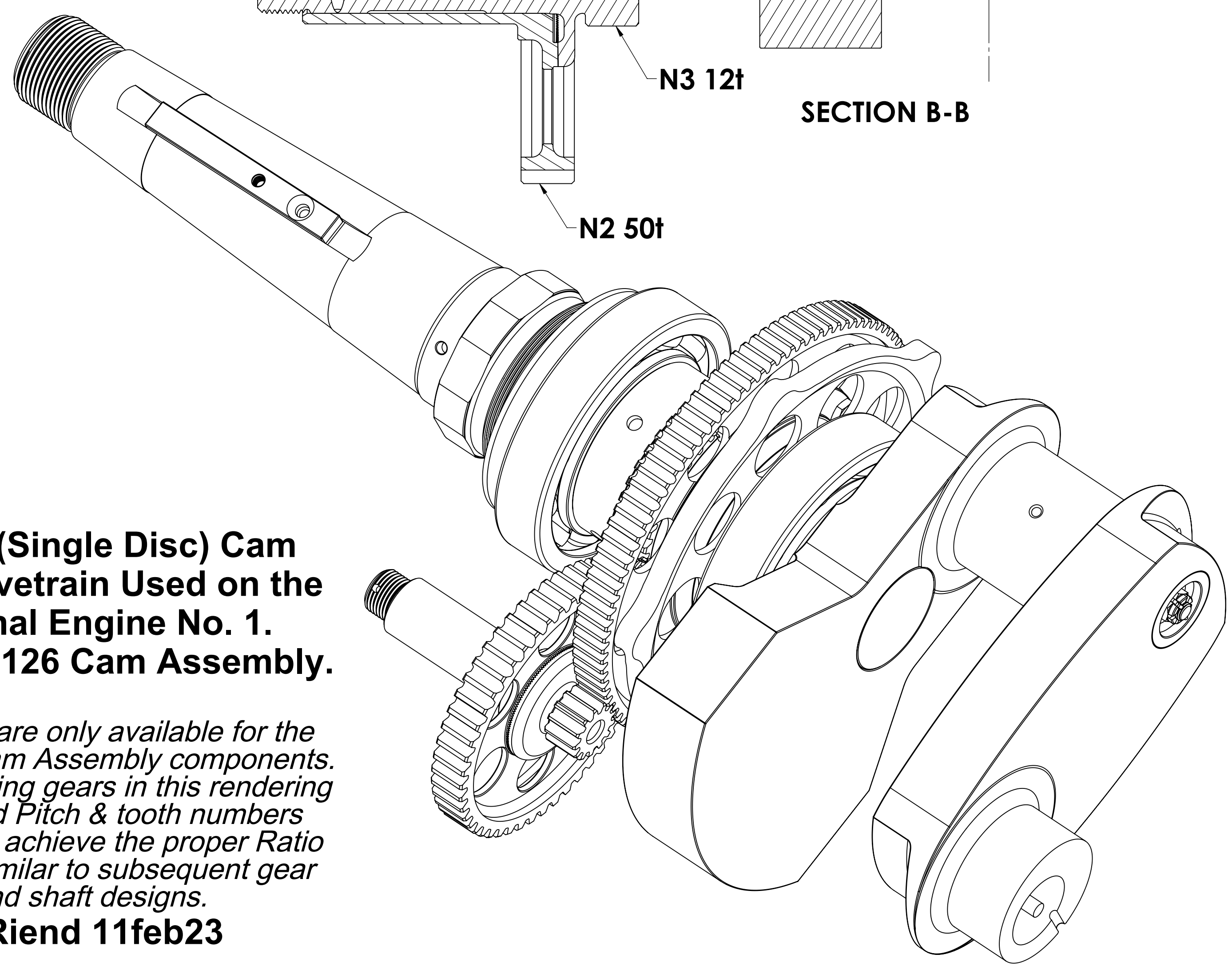
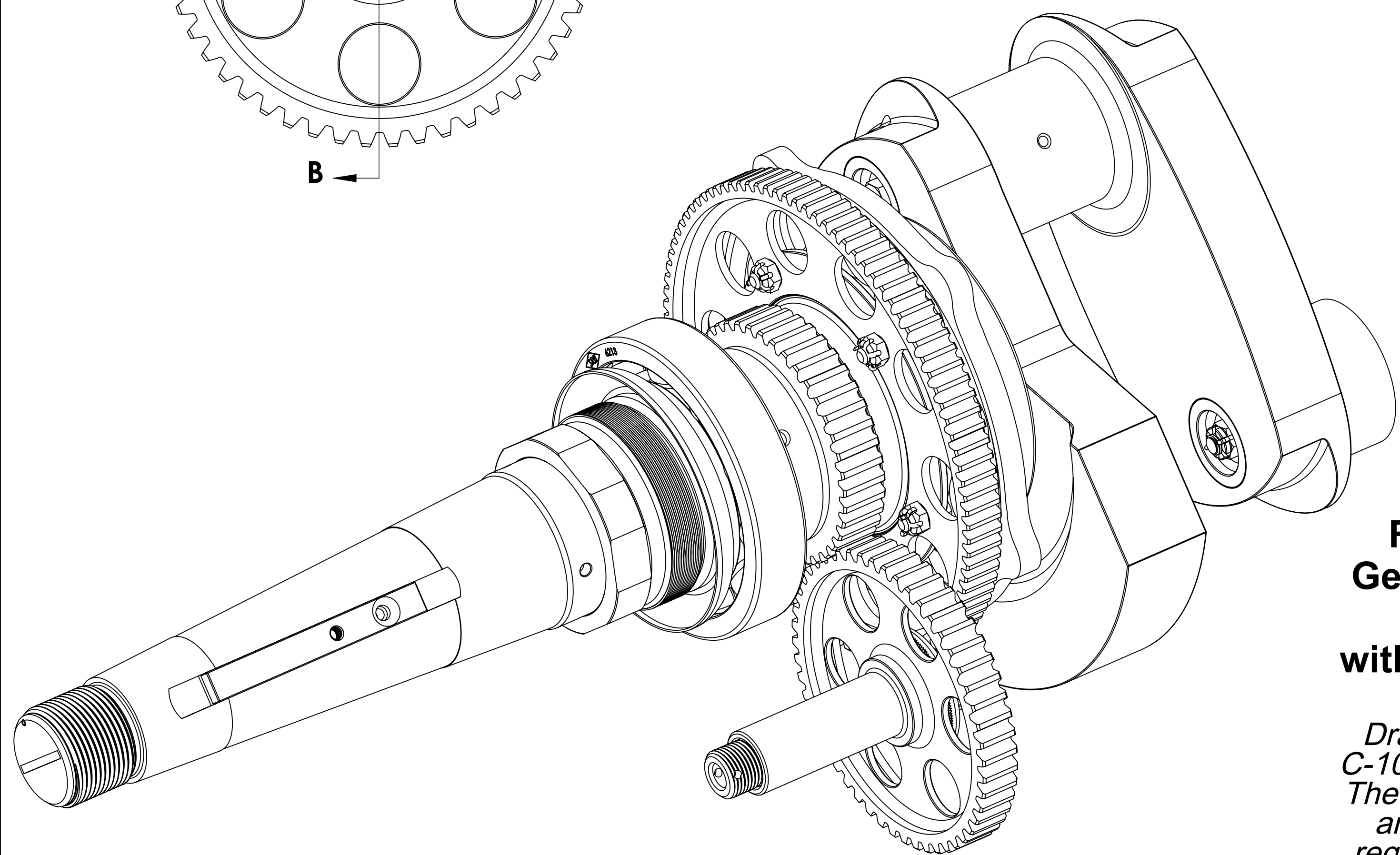


Cam Drive Ratio: $R = 0.1000$
 Ratio = $N1/N2 \times N3/N4$
 $40/50 \times 12/96 = 0.1000$

SECTION B-B



**R-600 (Single Disc) Cam
 Gear Drivetrain Used on the
 Original Engine No. 1.
 with C-10126 Cam Assembly.**

*Drawings are only available for the
 C-10126 Cam Assembly components.
 The remaining gears in this rendering
 are based Pitch & tooth numbers
 required to achieve the proper Ratio
 and are similar to subsequent gear
 and shaft designs.*

J Riend 11feb23