

8

7

6

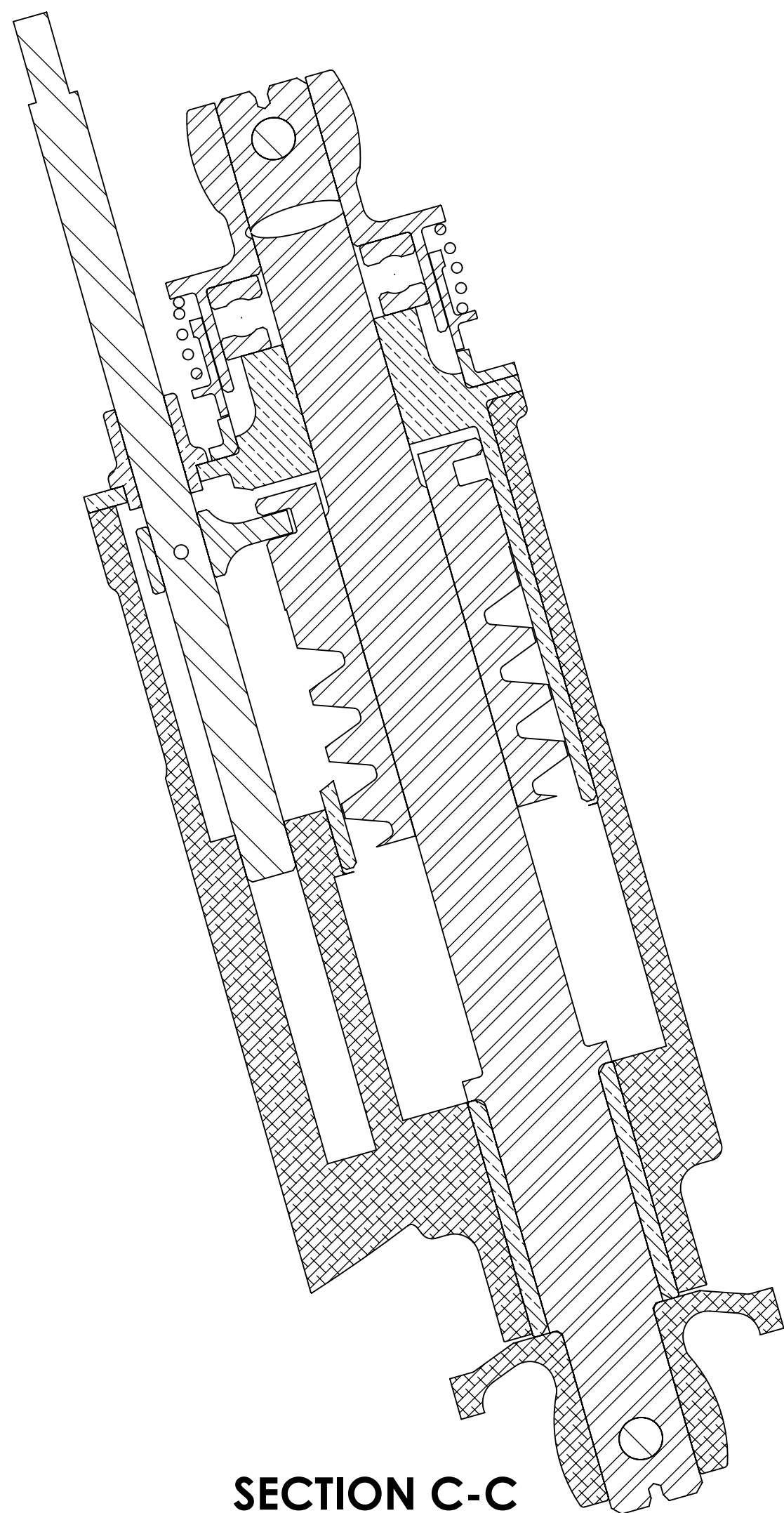
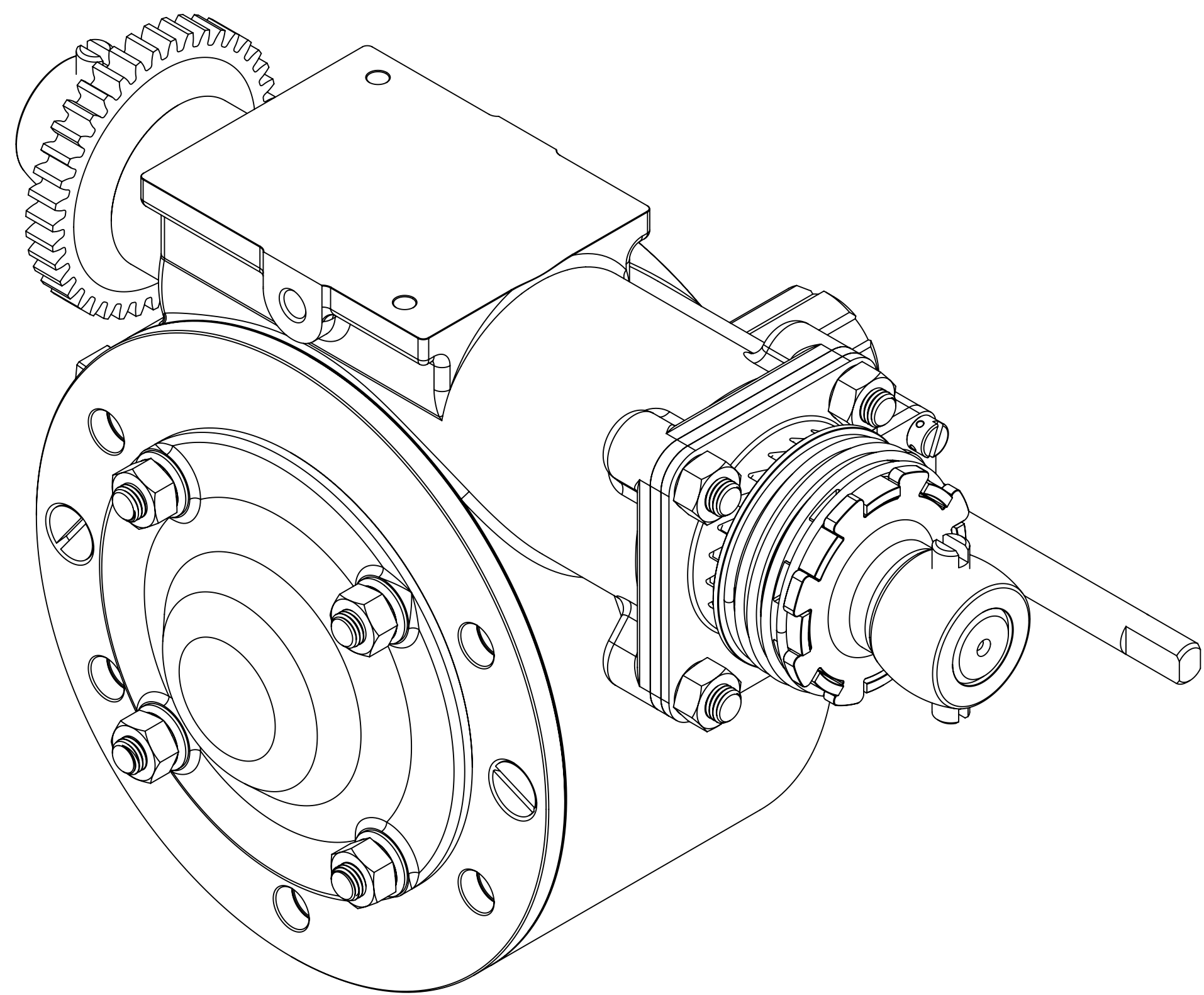
5

4

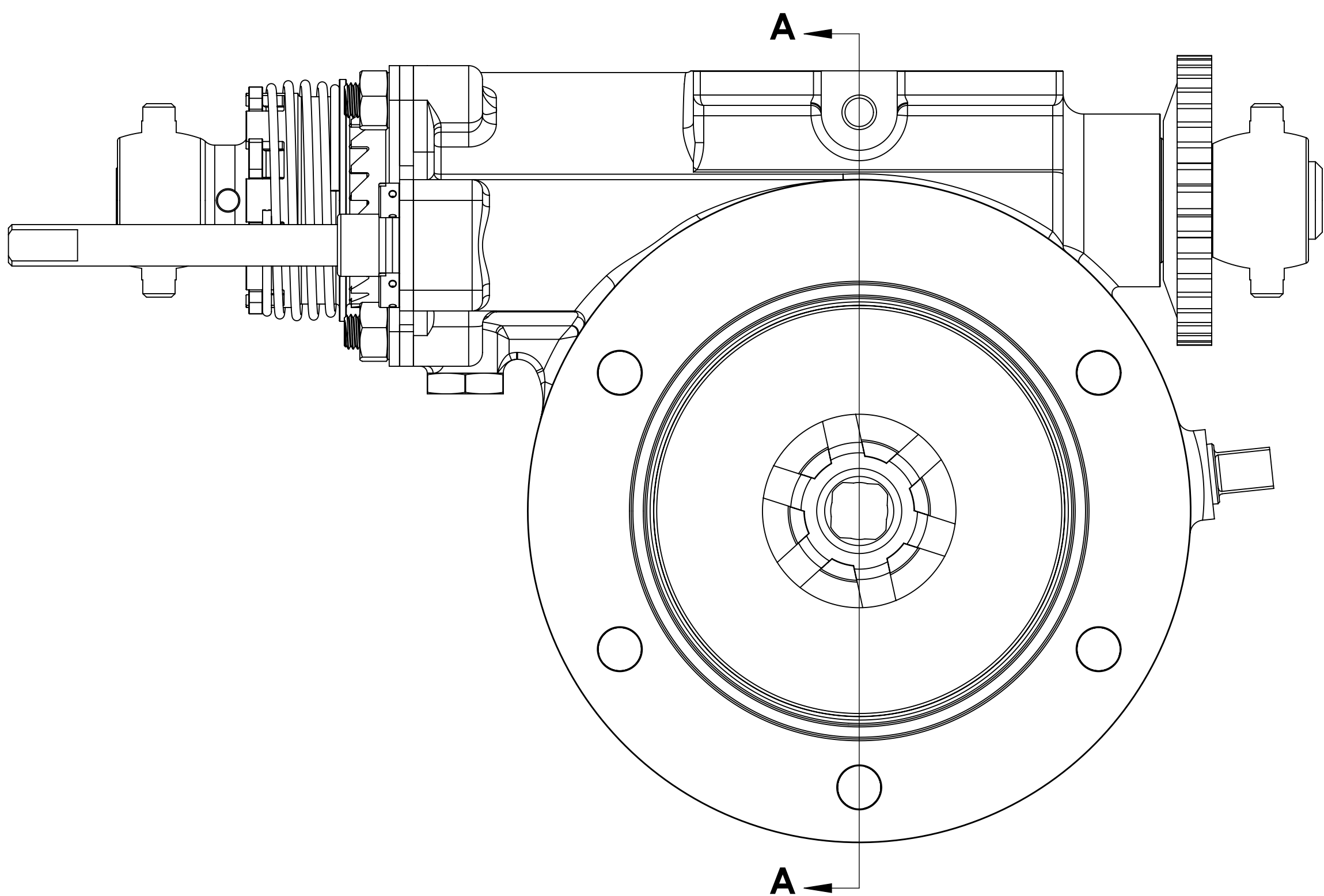
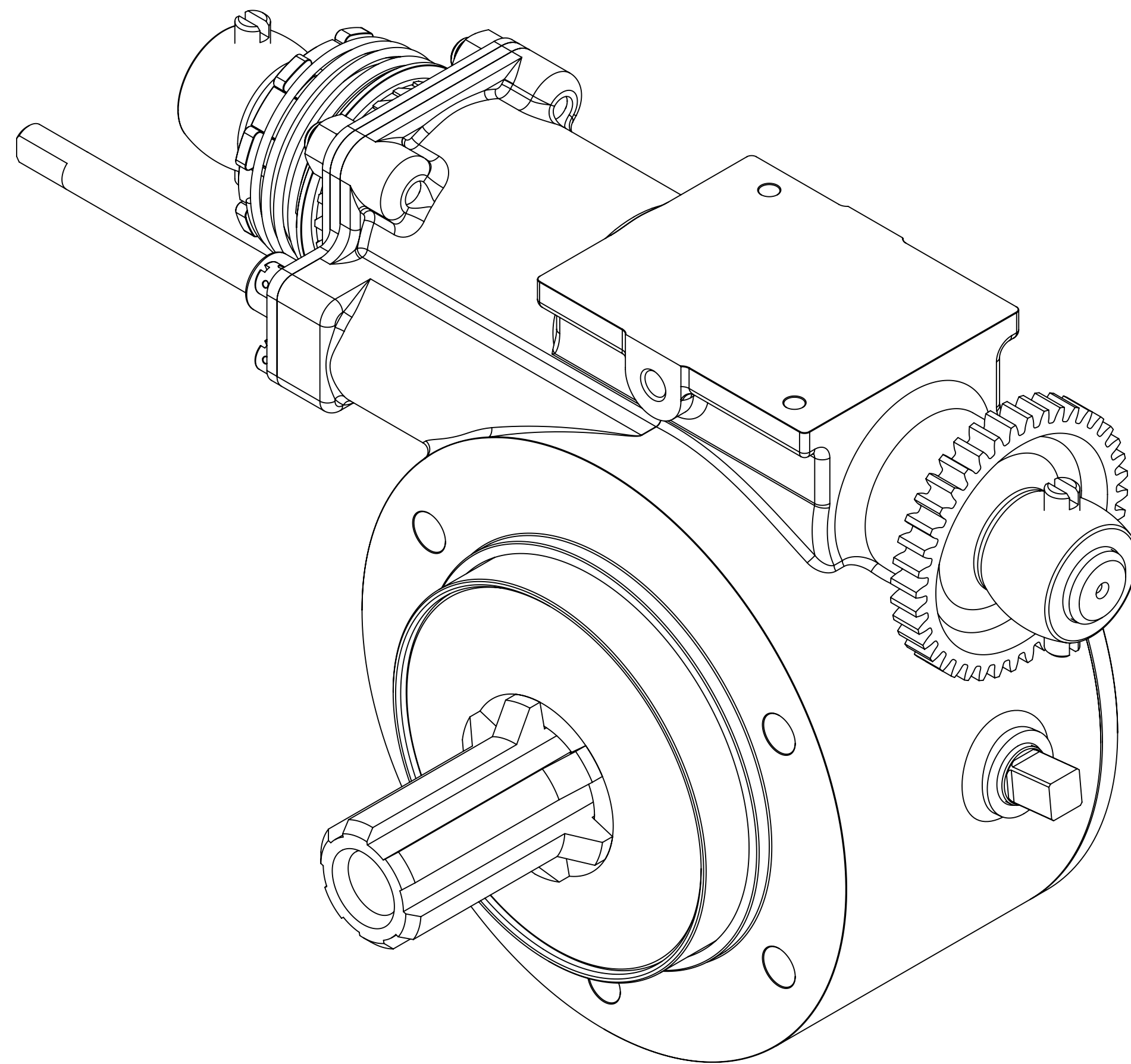
3

2

1



SECTION C-C



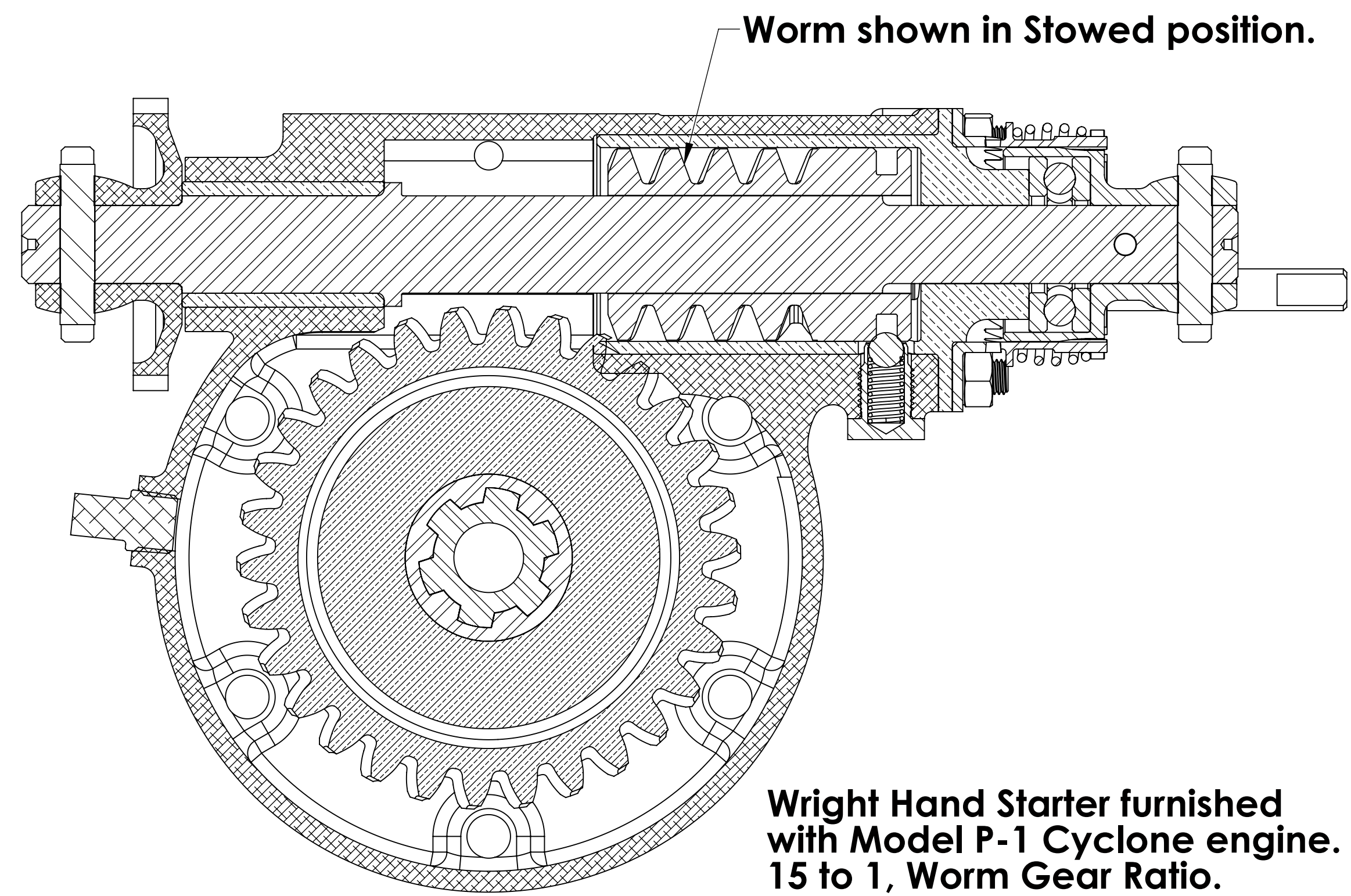
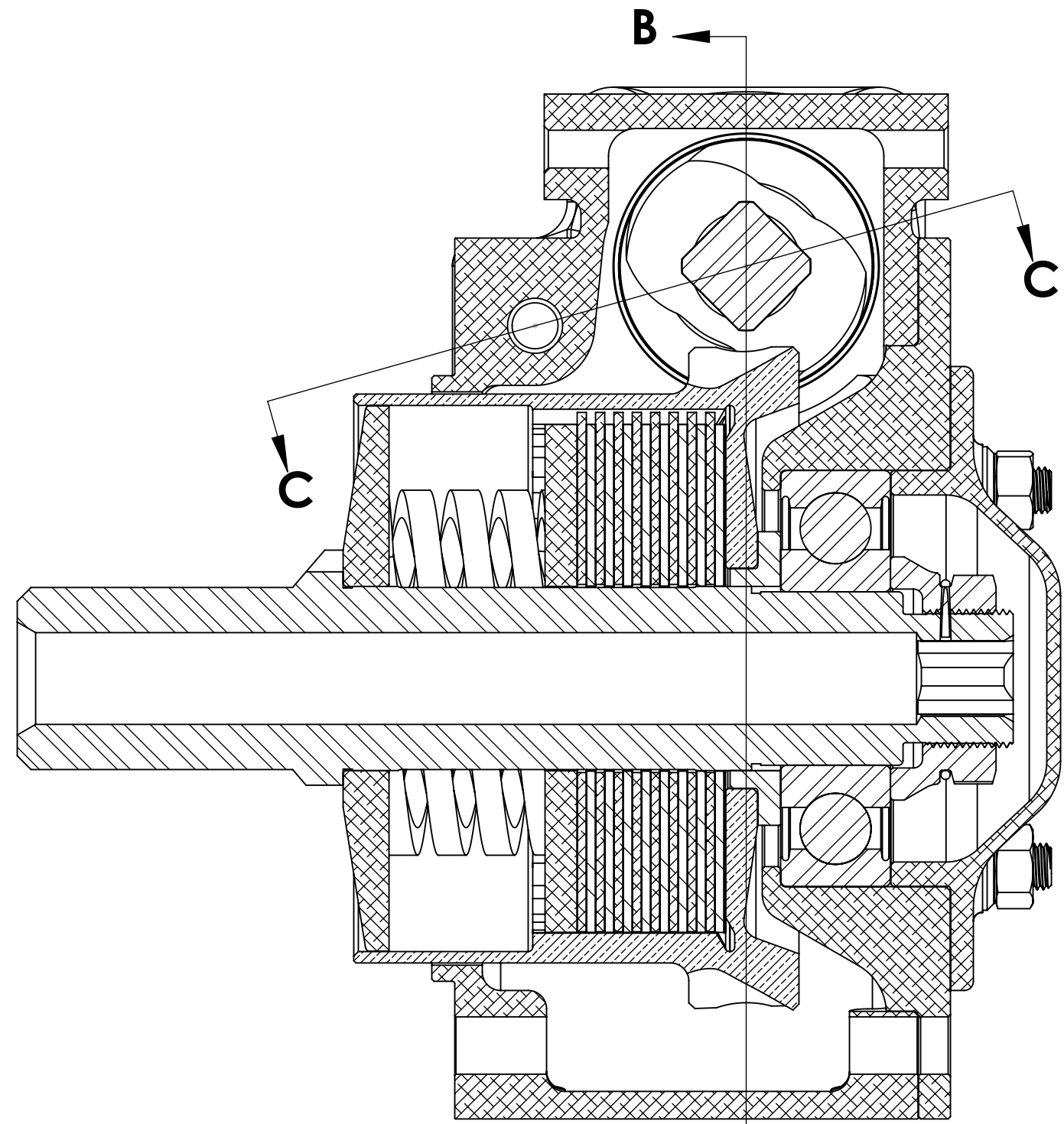
A ←

B ←

← A

← B

SECTION A-A



Worm shown in Stowed position.

SECTION B-B

Wright Hand Starter furnished
 with Model P-1 Cyclone engine.
 15 to 1, Worm Gear Ratio.
 J. Riend 10apr24

8

7

6

5

4

3

2

1