

8 7 6 5 4 3 2 1

D

D

C

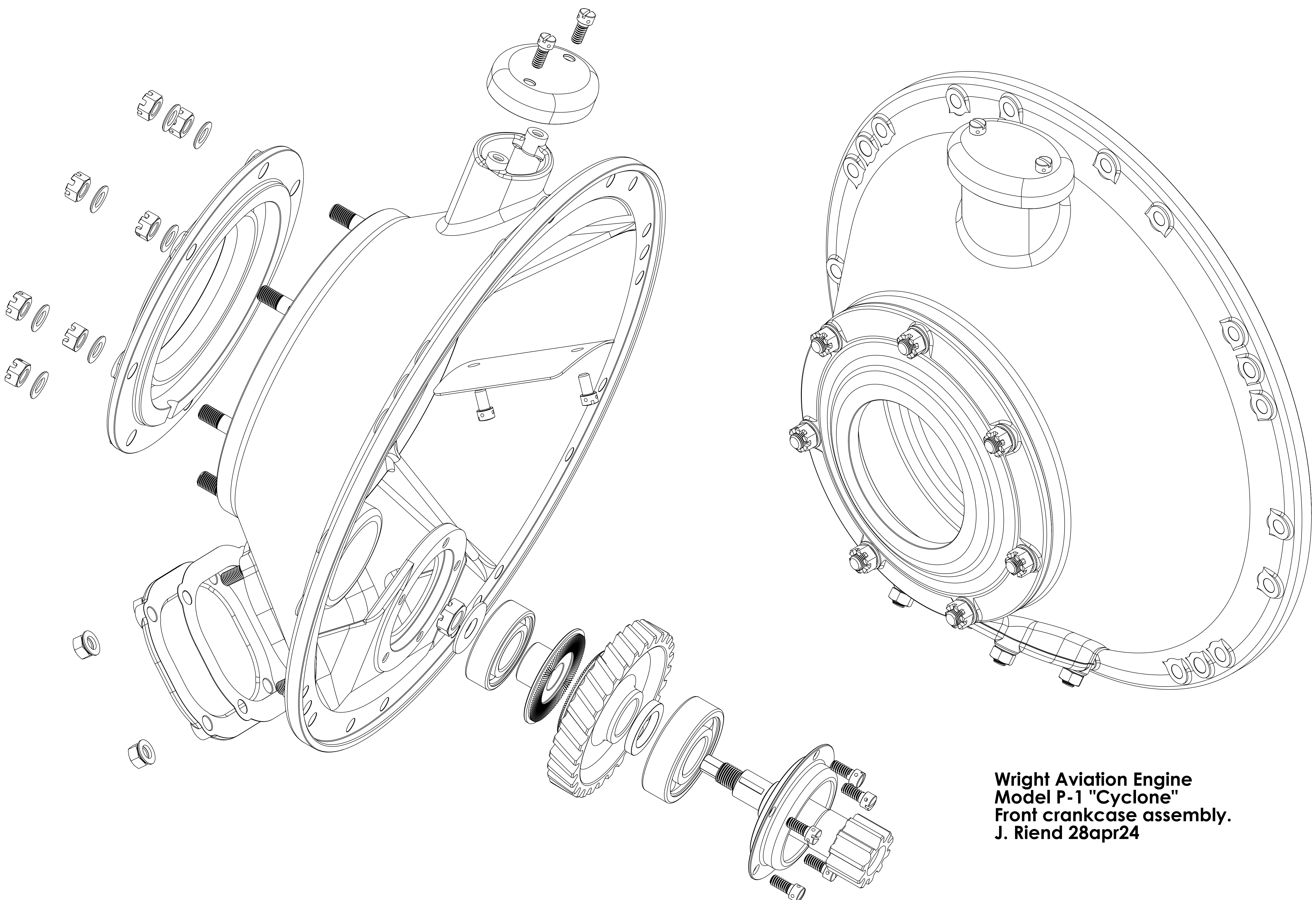
C

B

B

A

A



**Wright Aviation Engine  
Model P-1 "Cyclone"  
Front crankcase assembly.  
J. Riend 28apr24**

8 7 6 5 4 3 2 1