

4

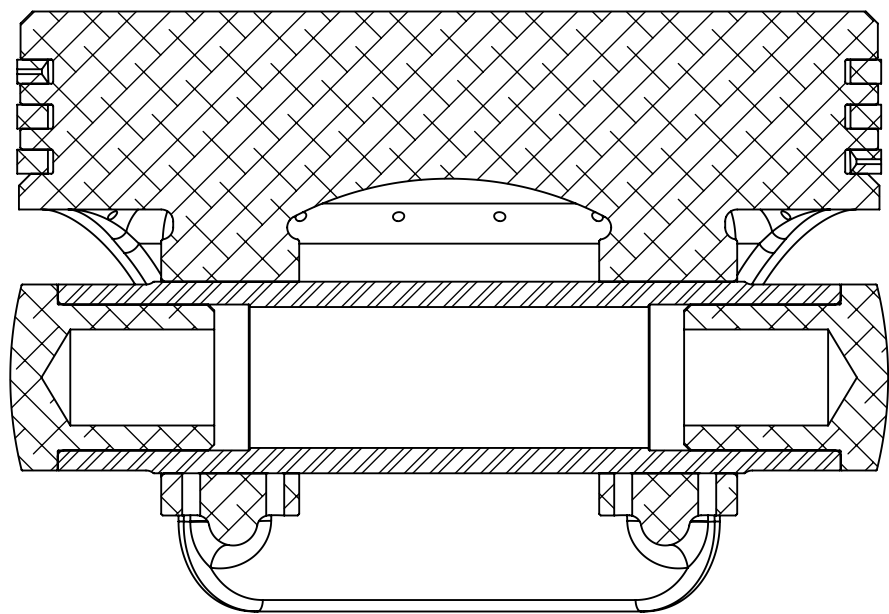
3

2

1

B

B

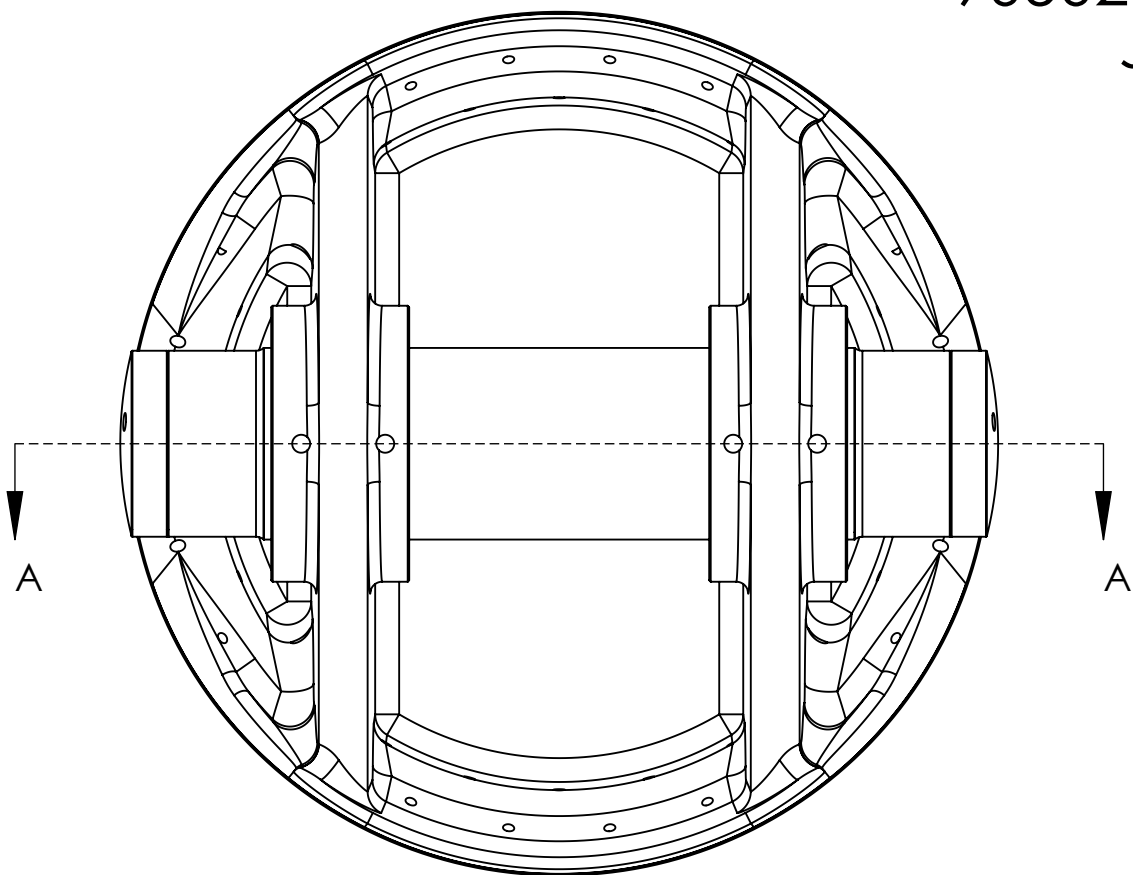


SECTION A-A

90502 Piston Assy Complete
J Riend 12may23

A

A



4

3

