

8

7

6

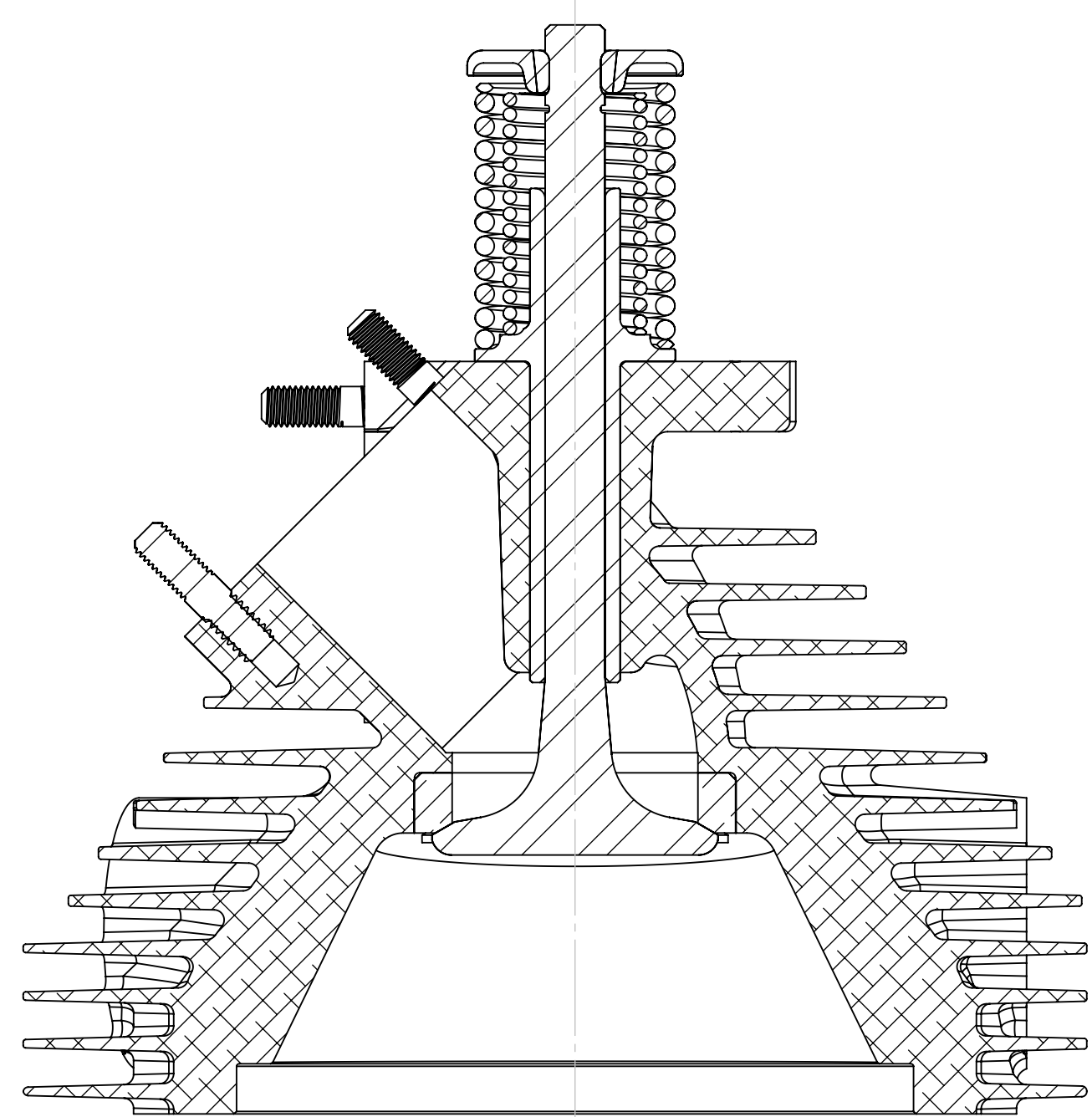
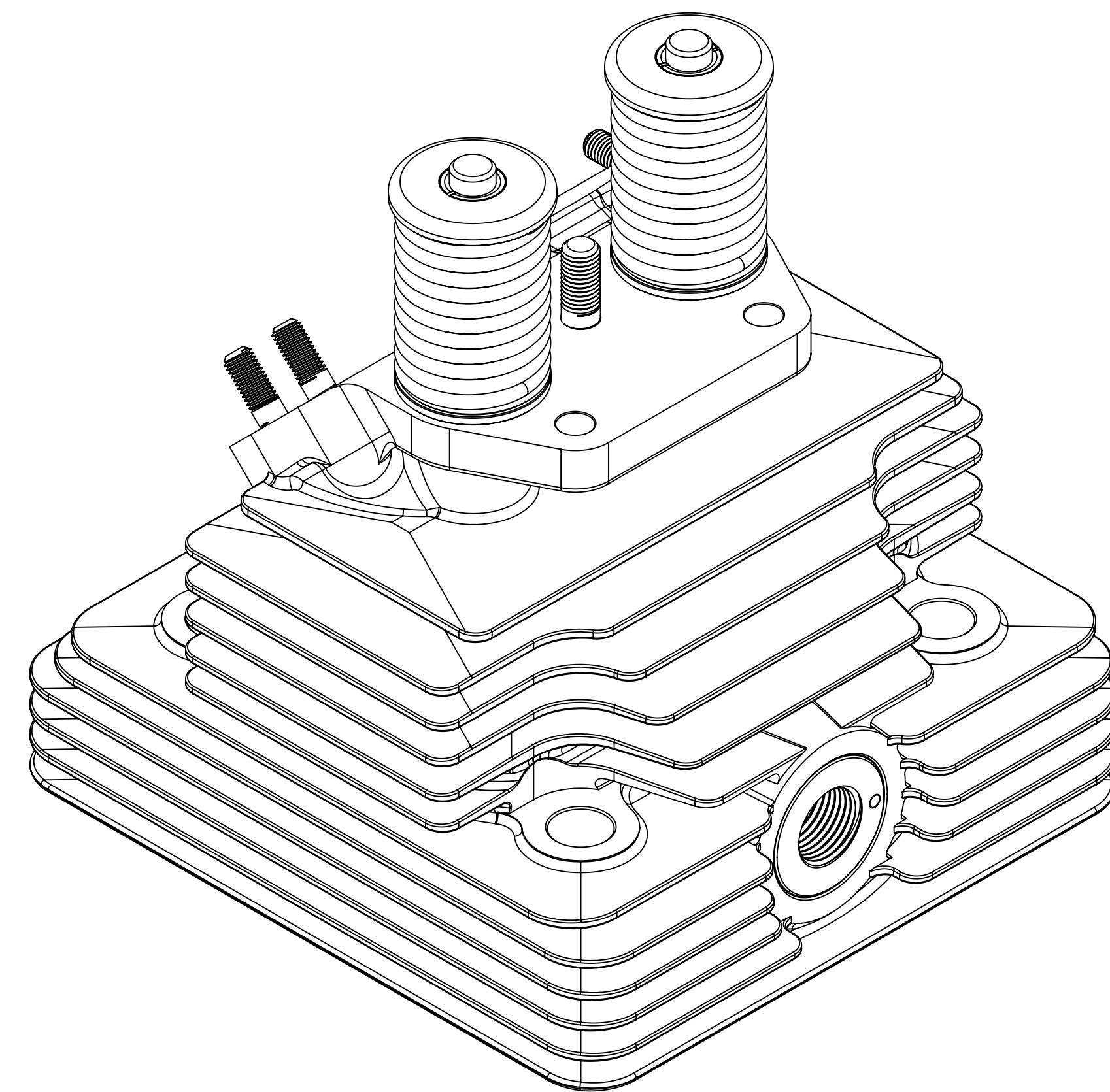
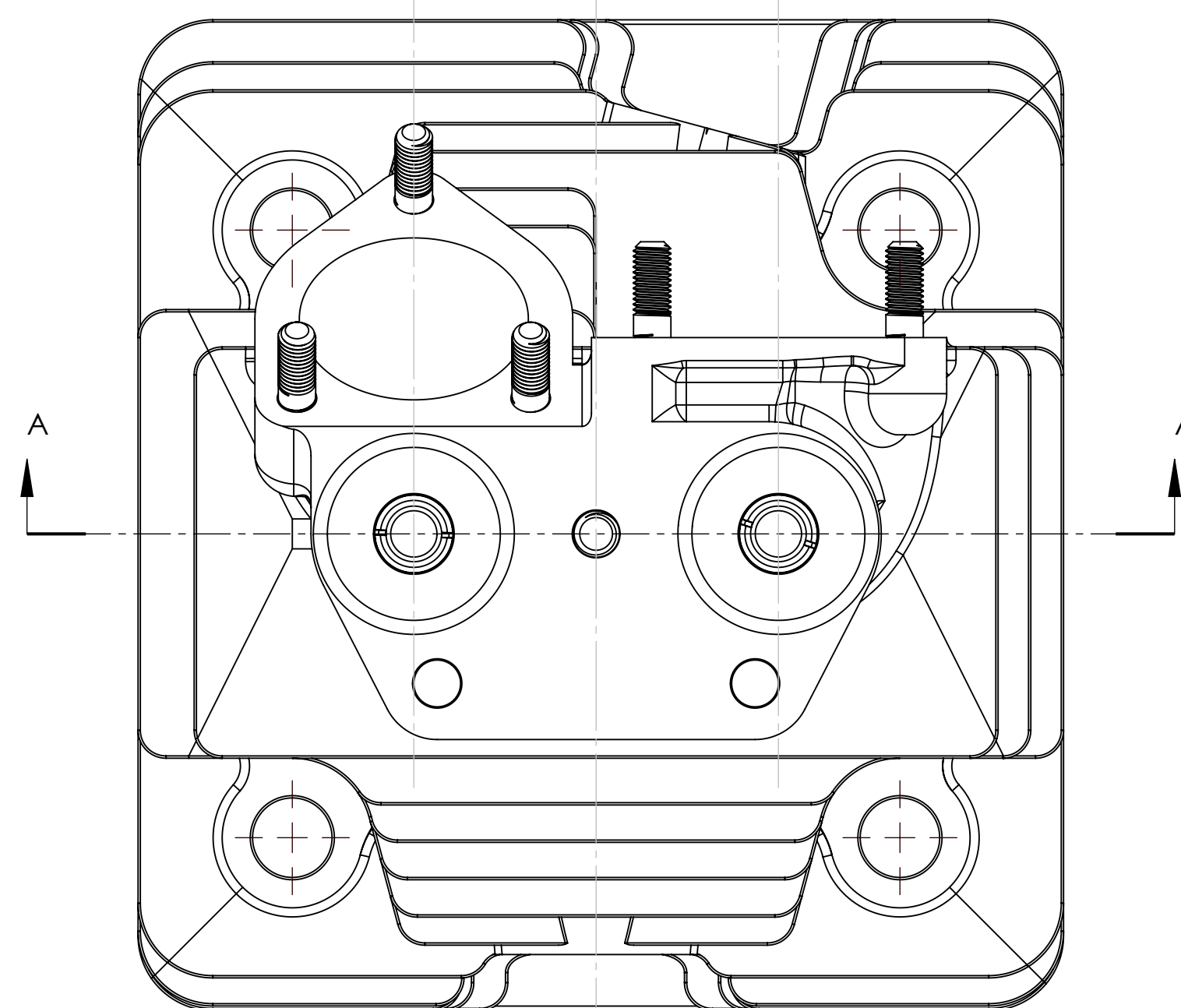
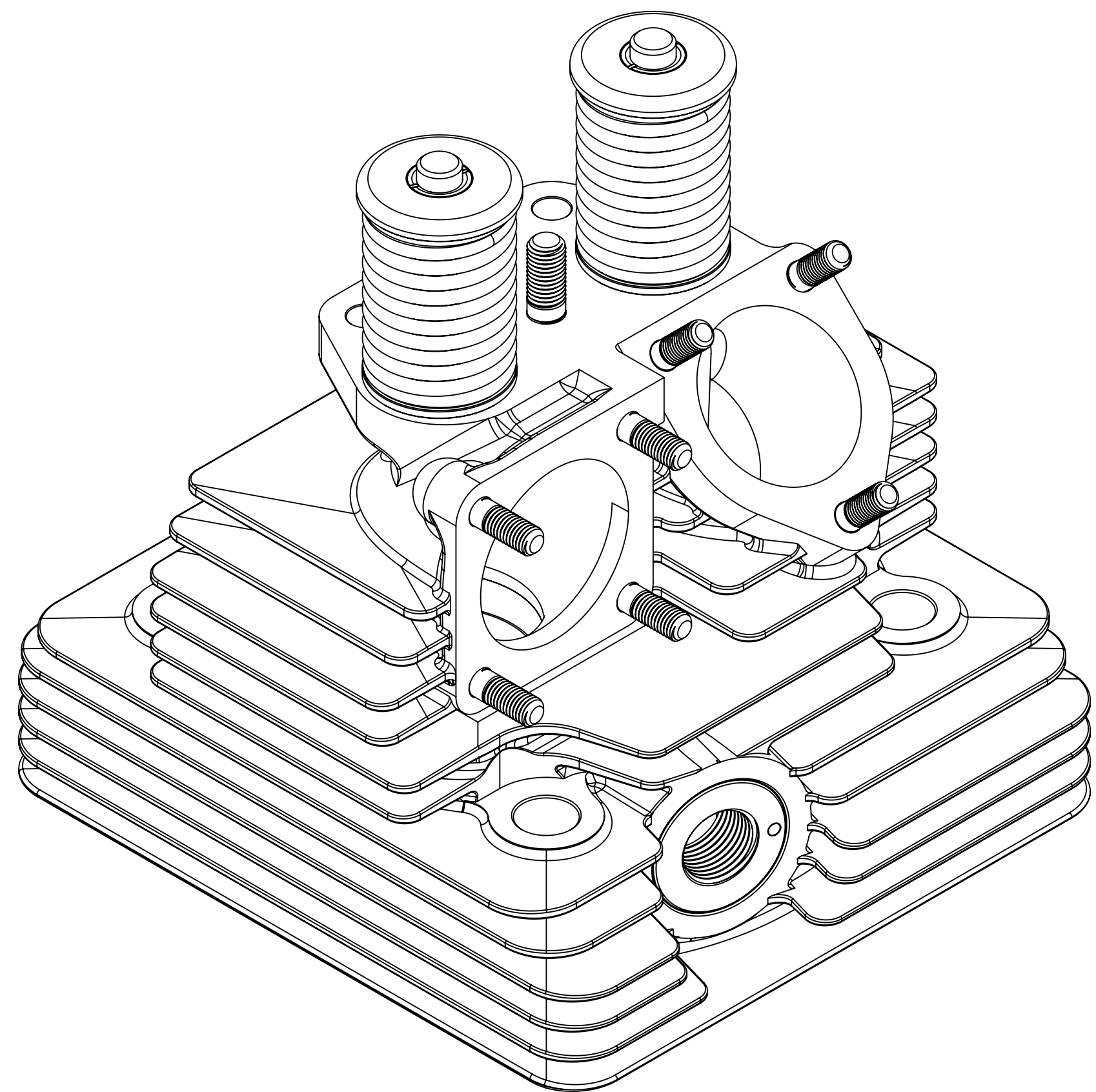
5

4

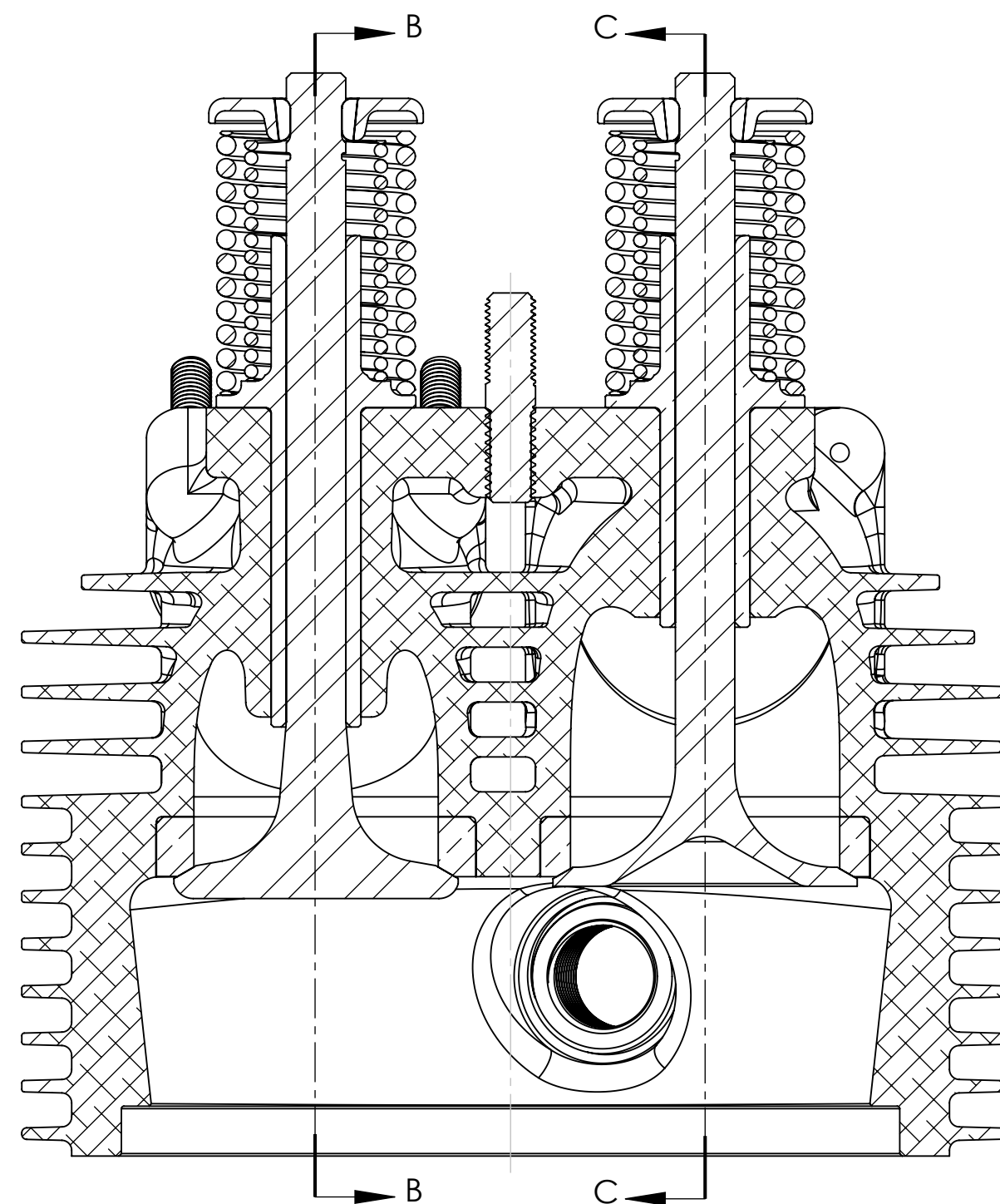
3

2

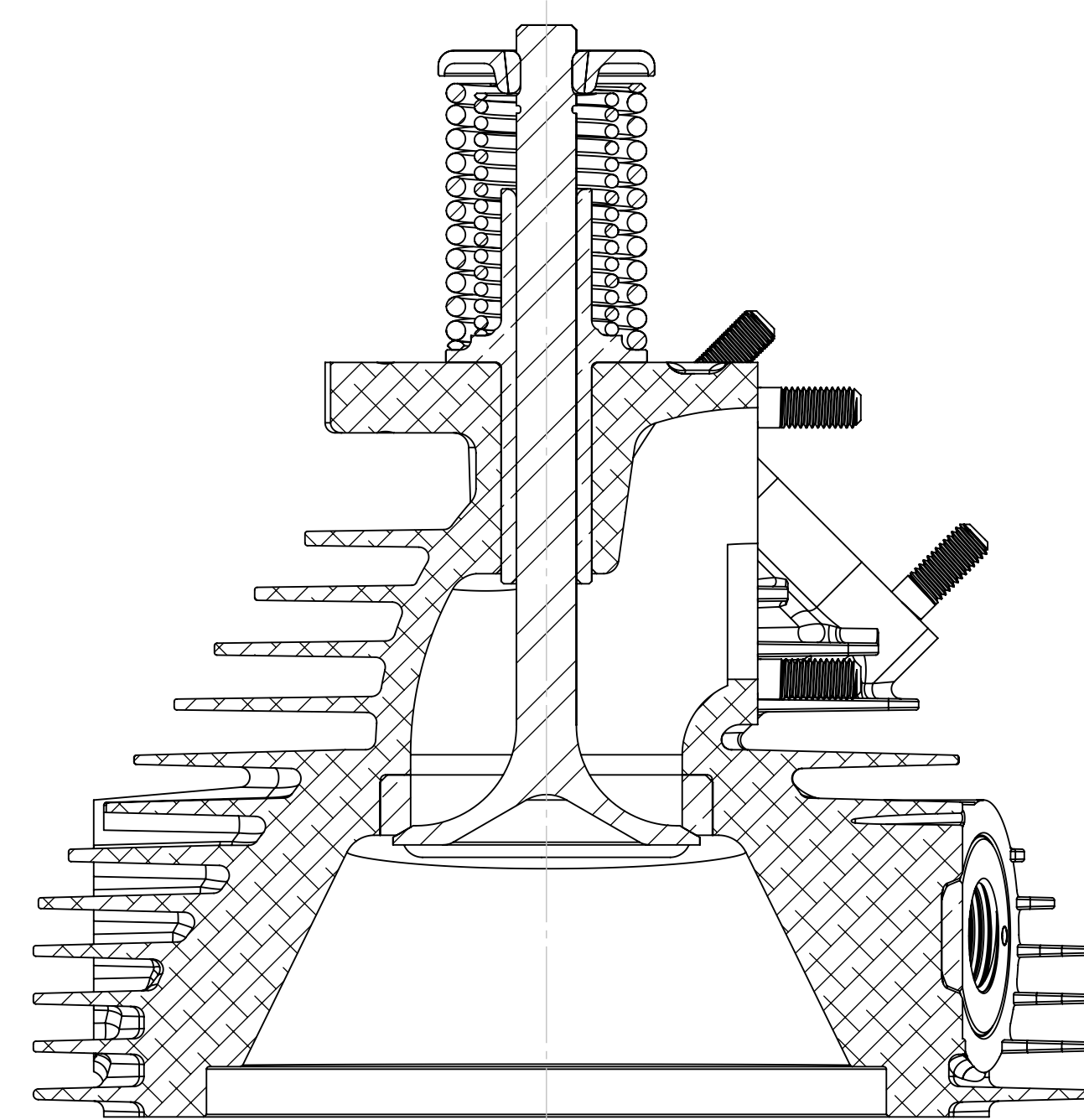
1



SECTION B-B



SECTION A-A



SECTION C-C

Wright L-320 Gipsy
 90455 Assy Cylinder Head, Studding
 J Riend 17may23

8

7

6

5

4

3

2

1