

8

7

6

5

4

3

2

1

D

D

C

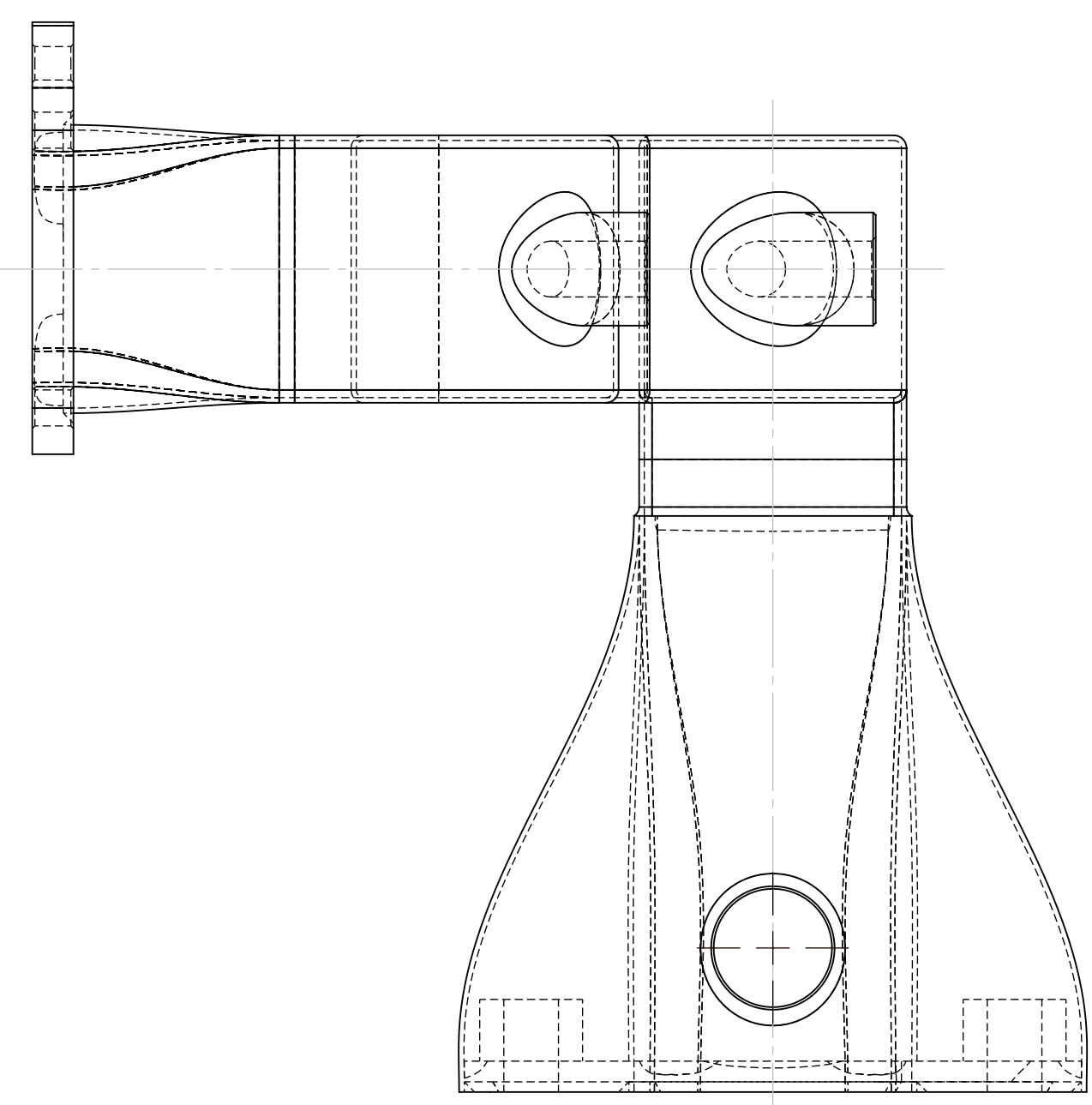
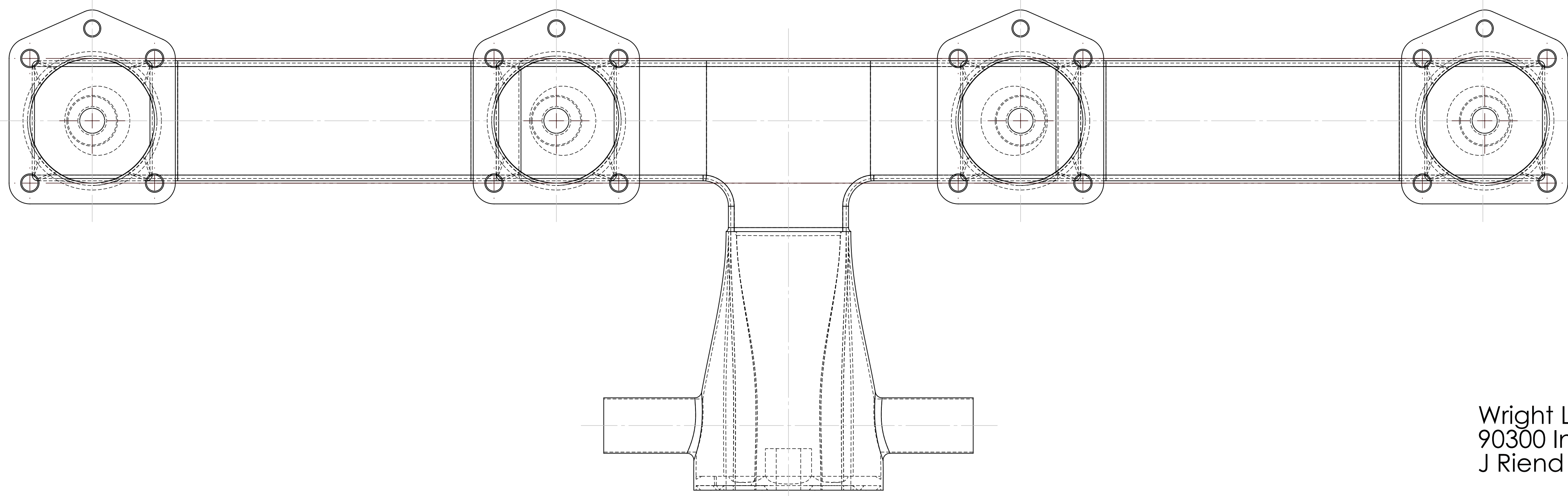
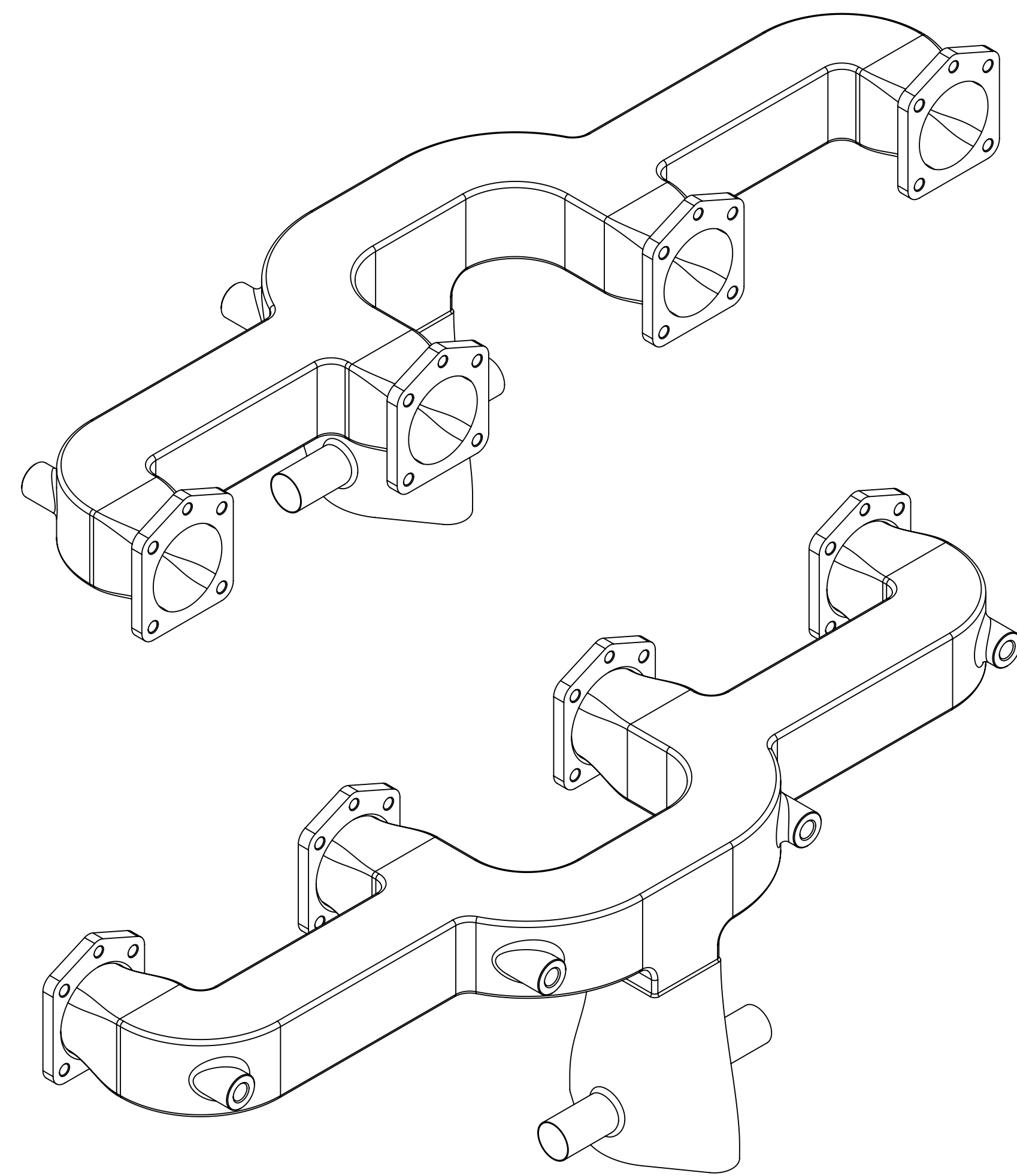
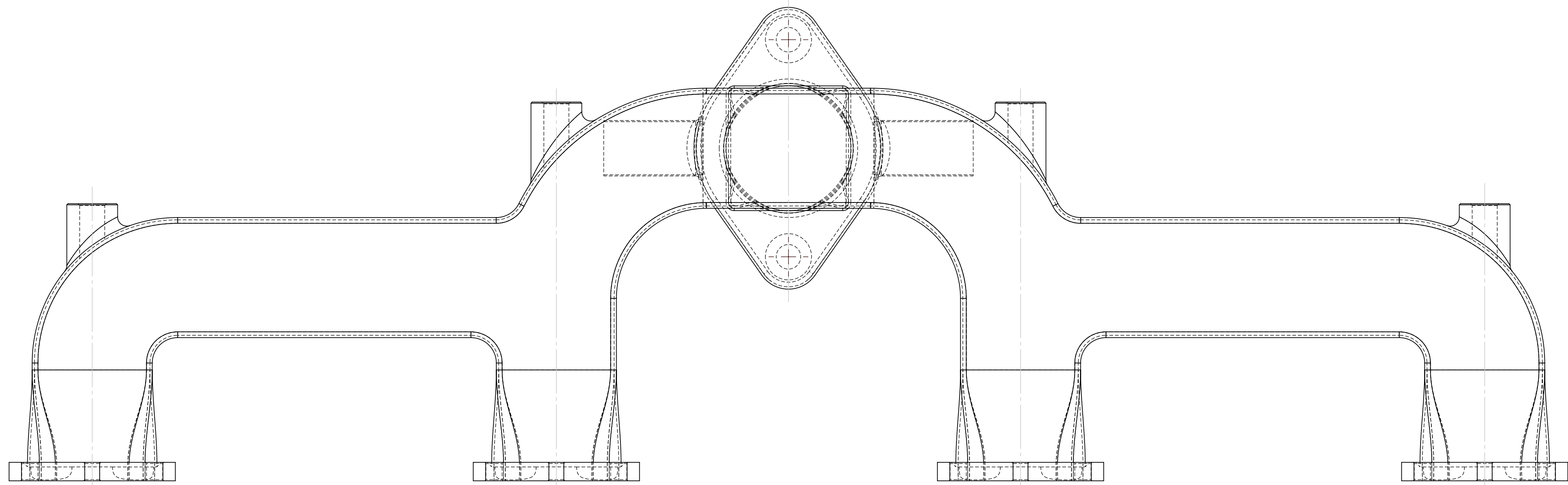
C

B

B

A

A



Wright L-320 Gipsy  
 90300 Intake Manifold  
 J Riend 18may23

8

7

6

5

4

3

2

1