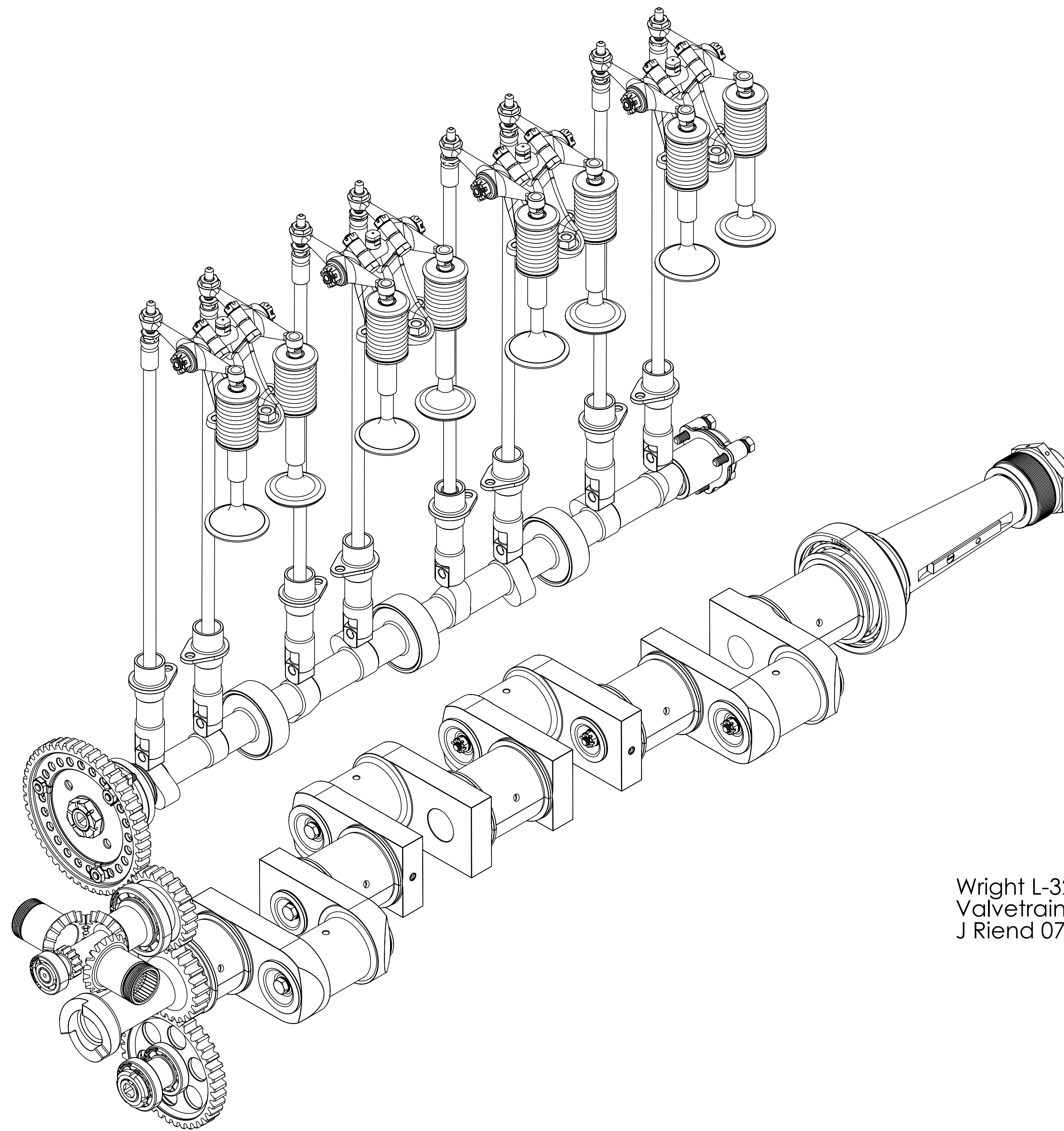


DETAIL B

Wright L-320 Gipsy
 Camshaft Timing Adjustment Assembly,
 Magneto Drive Gears, Tachometer Drive Gear
 Starter Coupling, Oil Pump Drive Gear.
 J Riend 07jun23



Wright L-320 Gipsy
 Valvetrain Assembly
 J Riend 07jun23

