

2

1

D

D

C

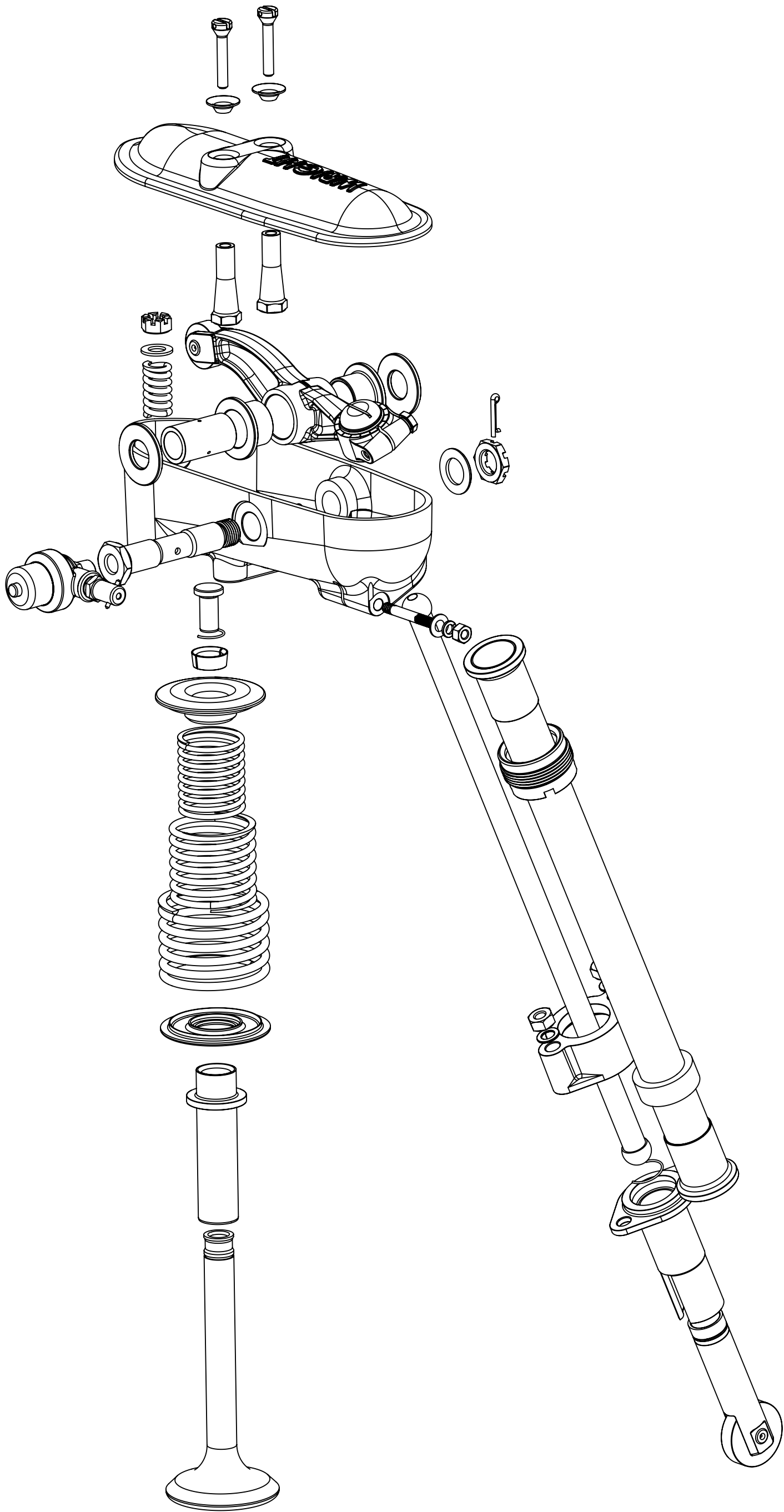
C

B

B

A

A



**Wright J-5 Valve Mechanism**  
**J Riend 08dec23**

2

1