

8

7

6

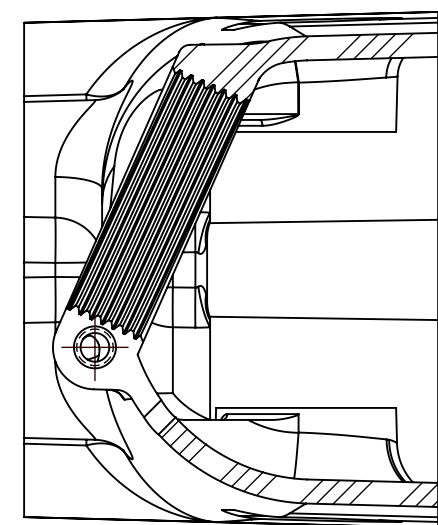
5

4

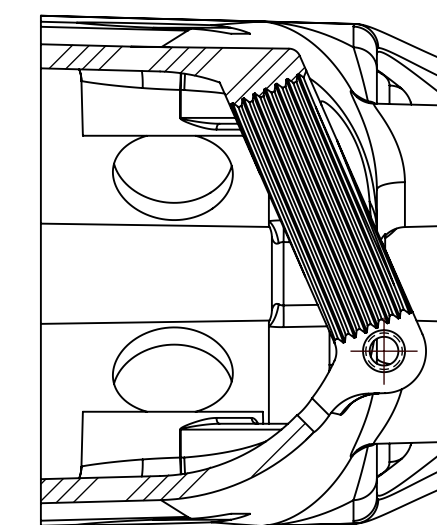
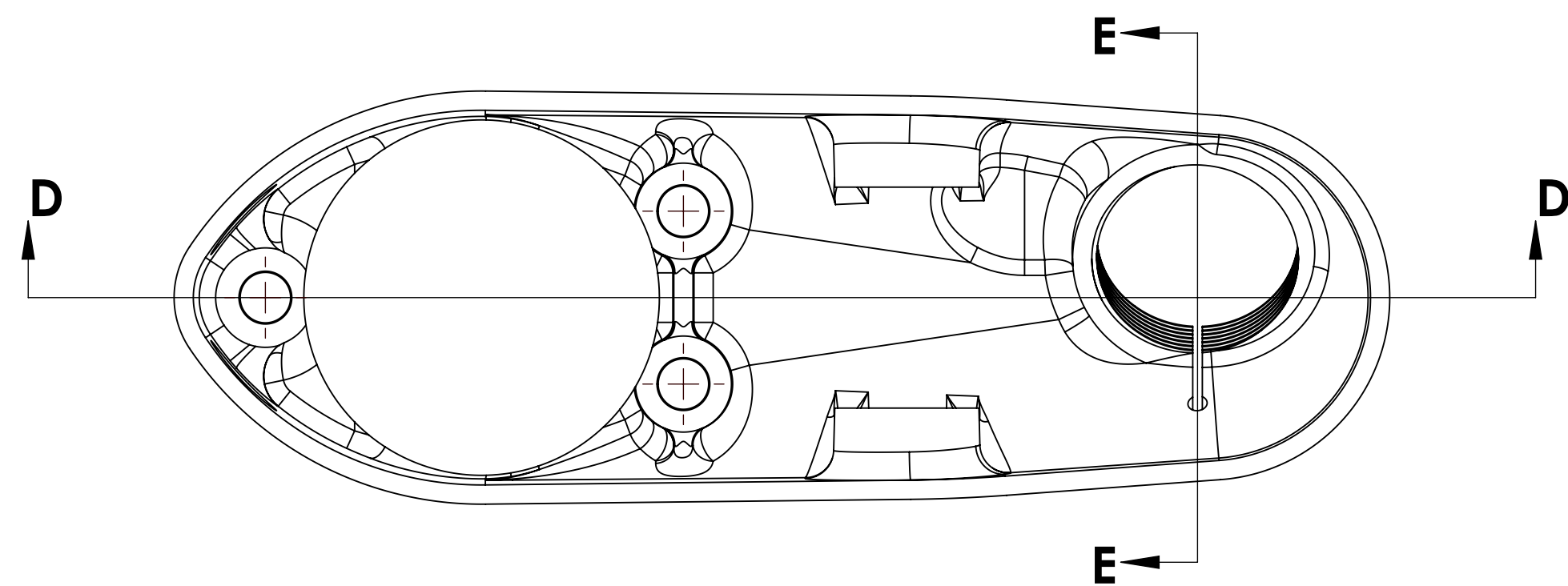
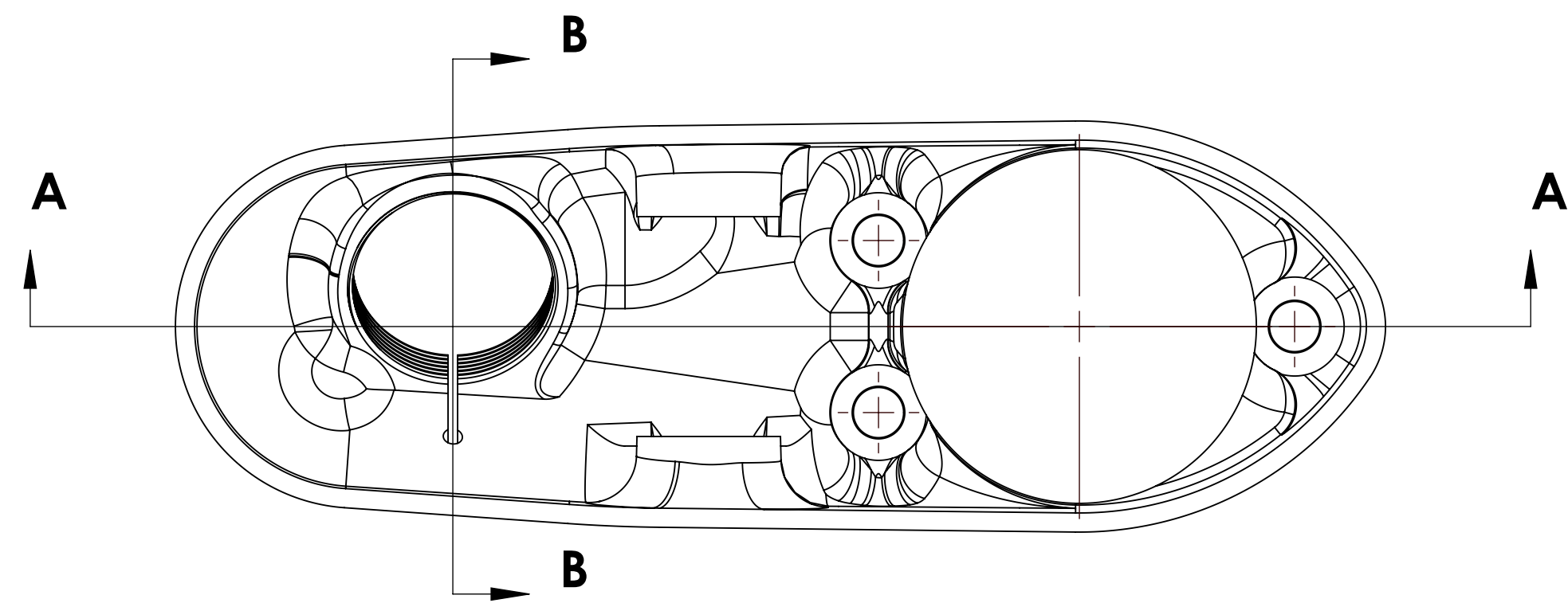
3

2

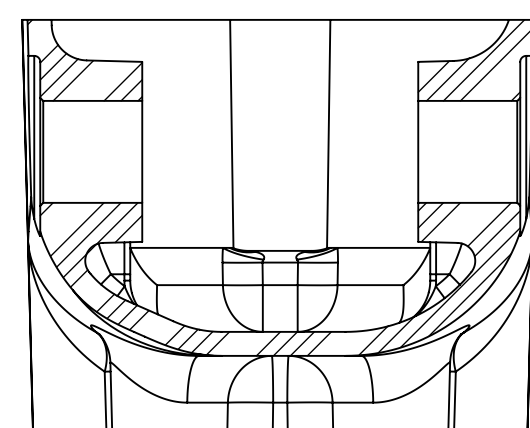
1



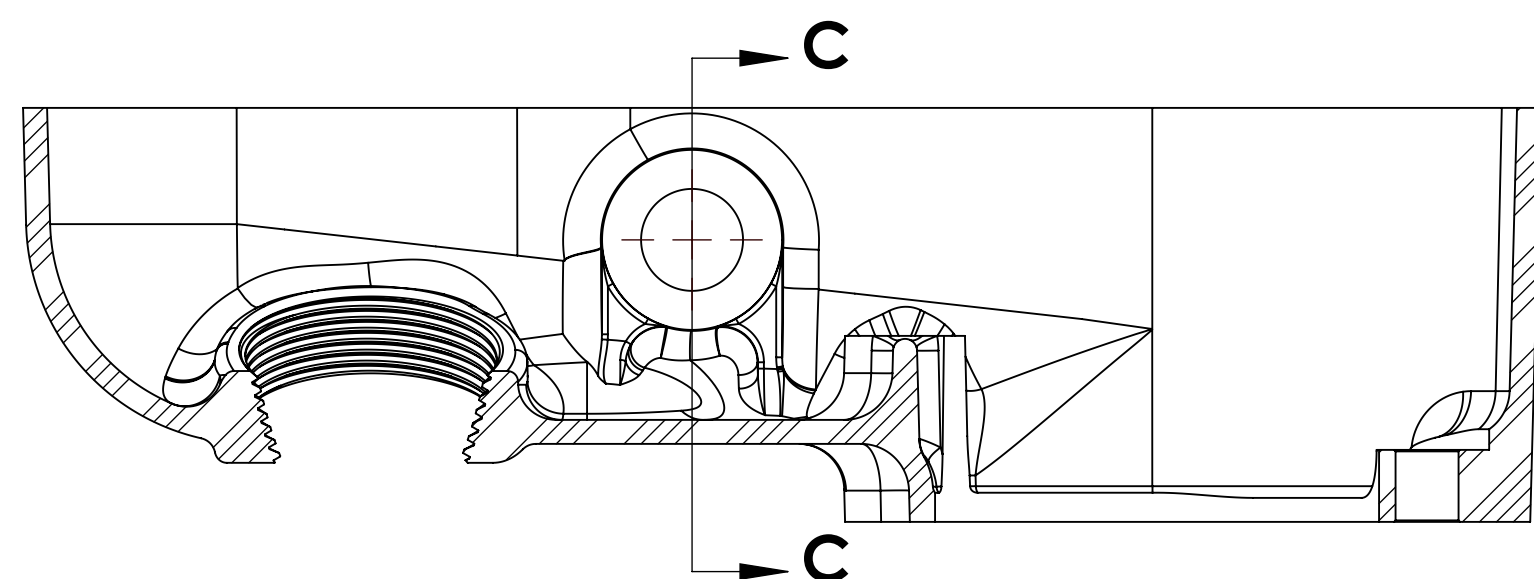
SECTION B-B



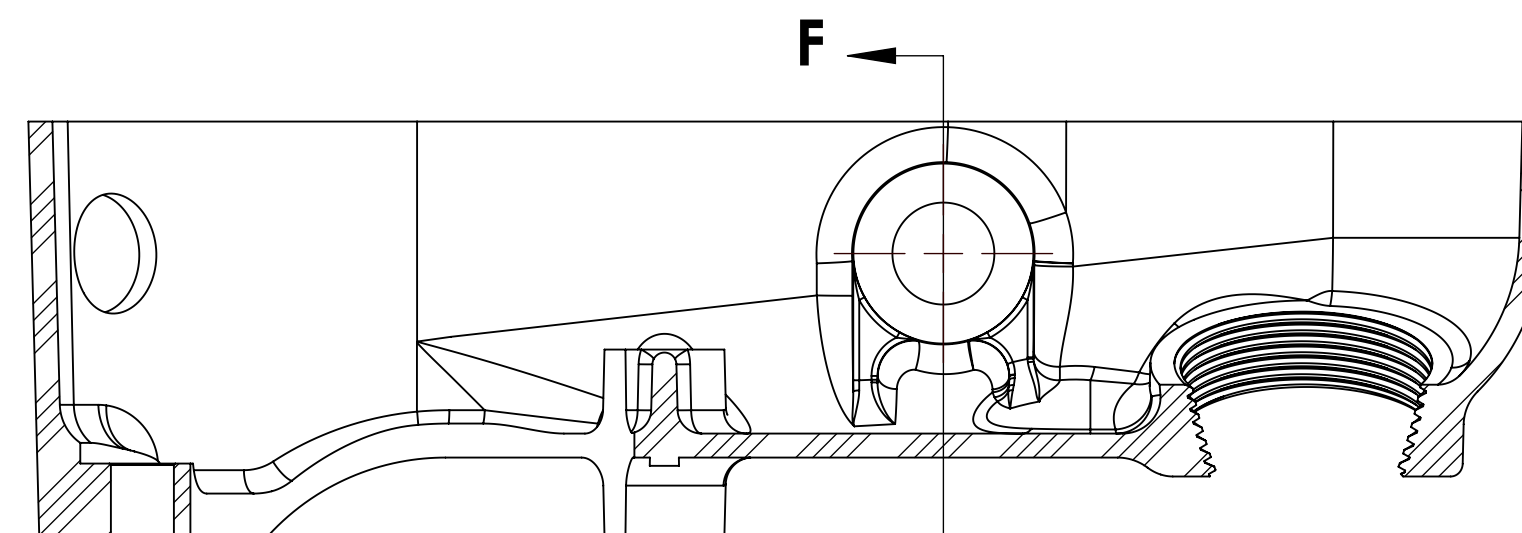
SECTION E-E



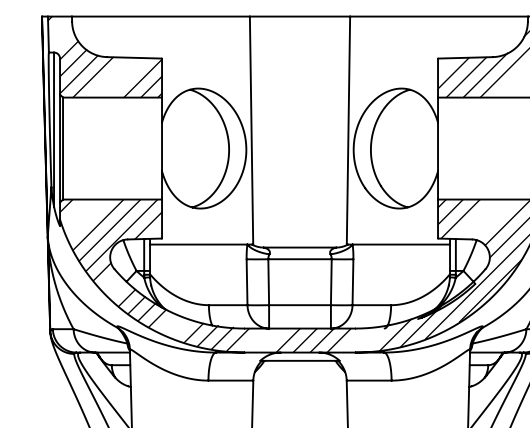
SECTION C-C



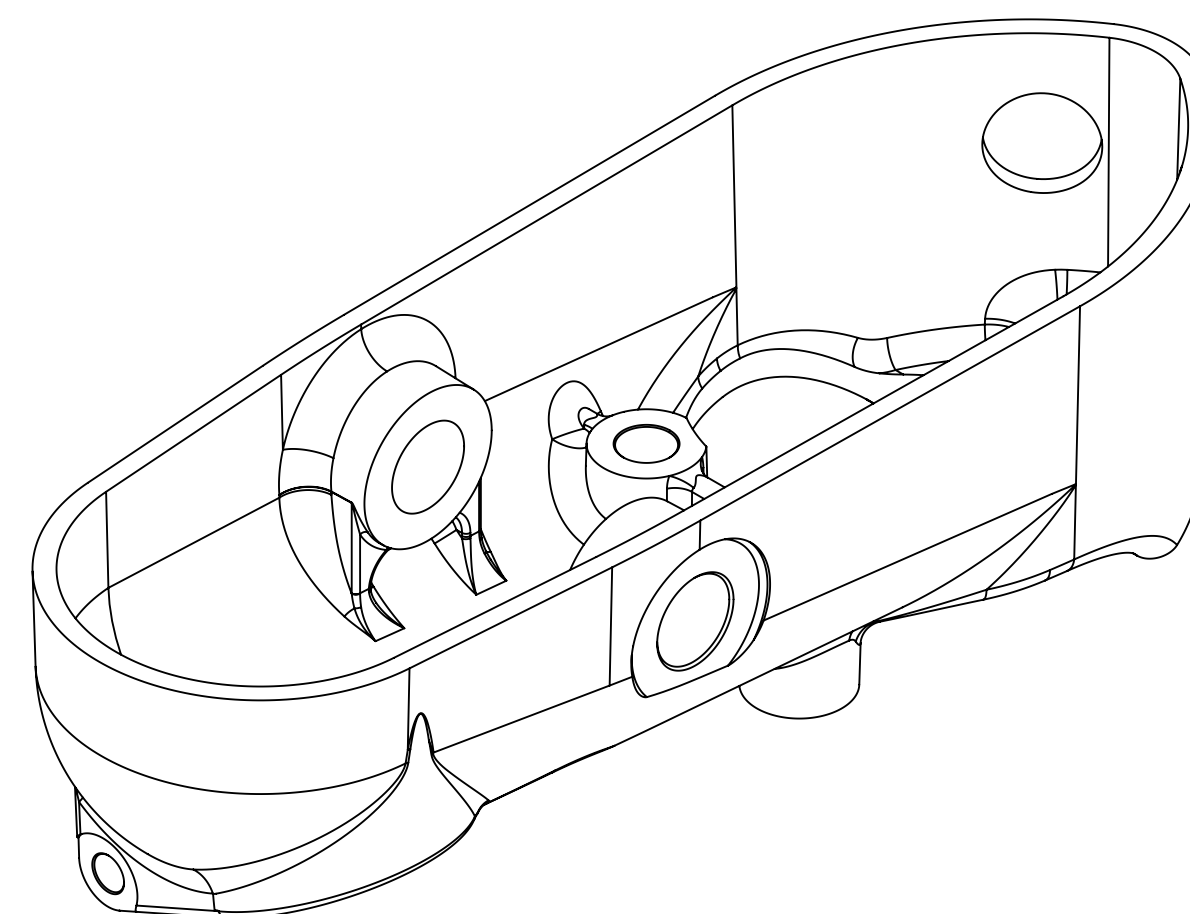
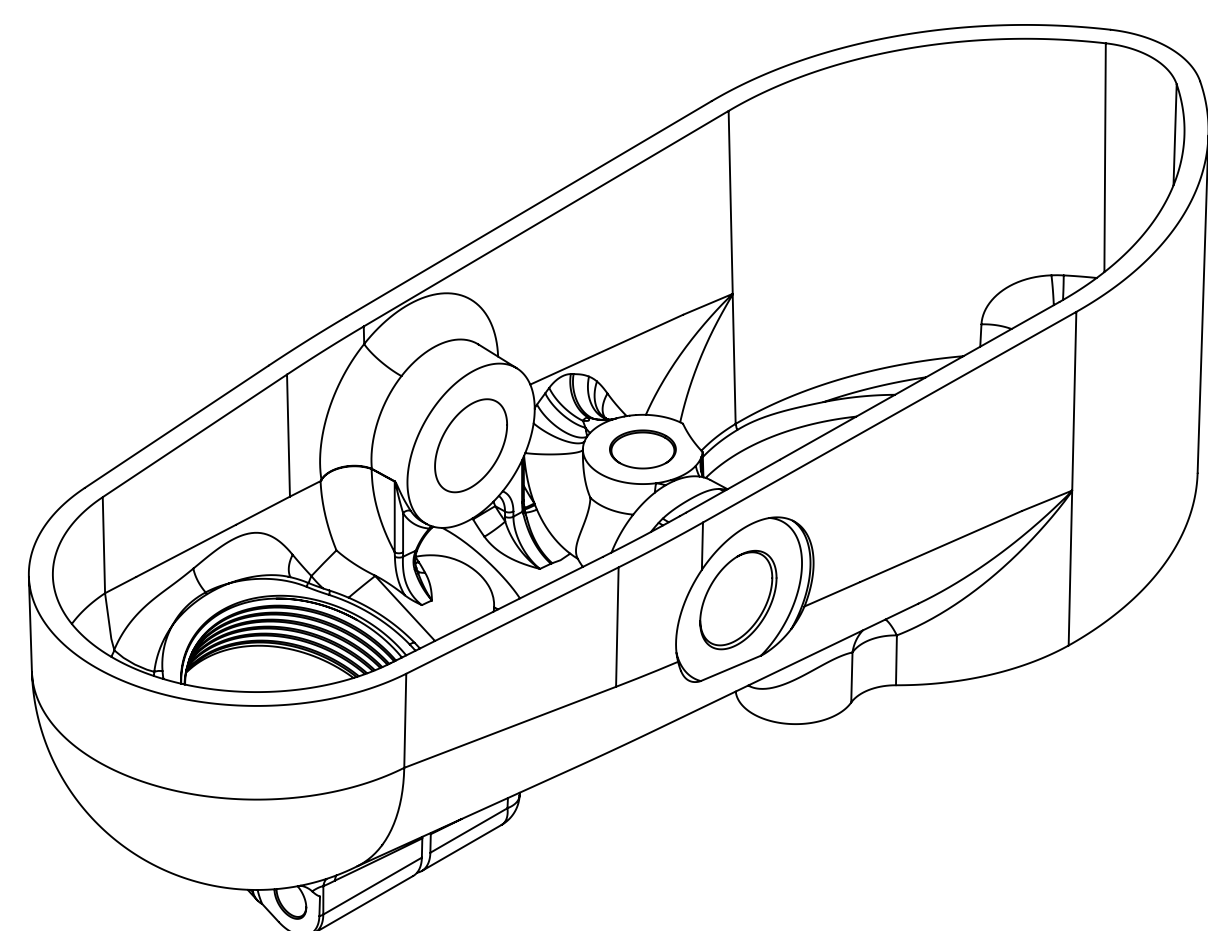
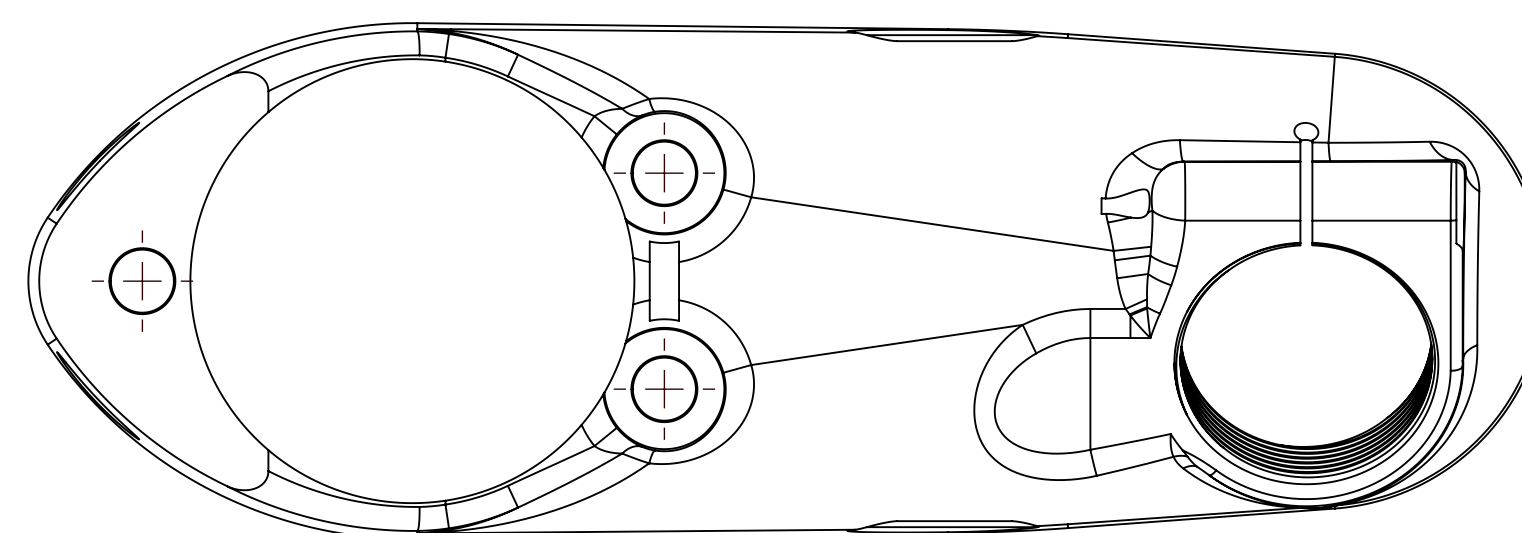
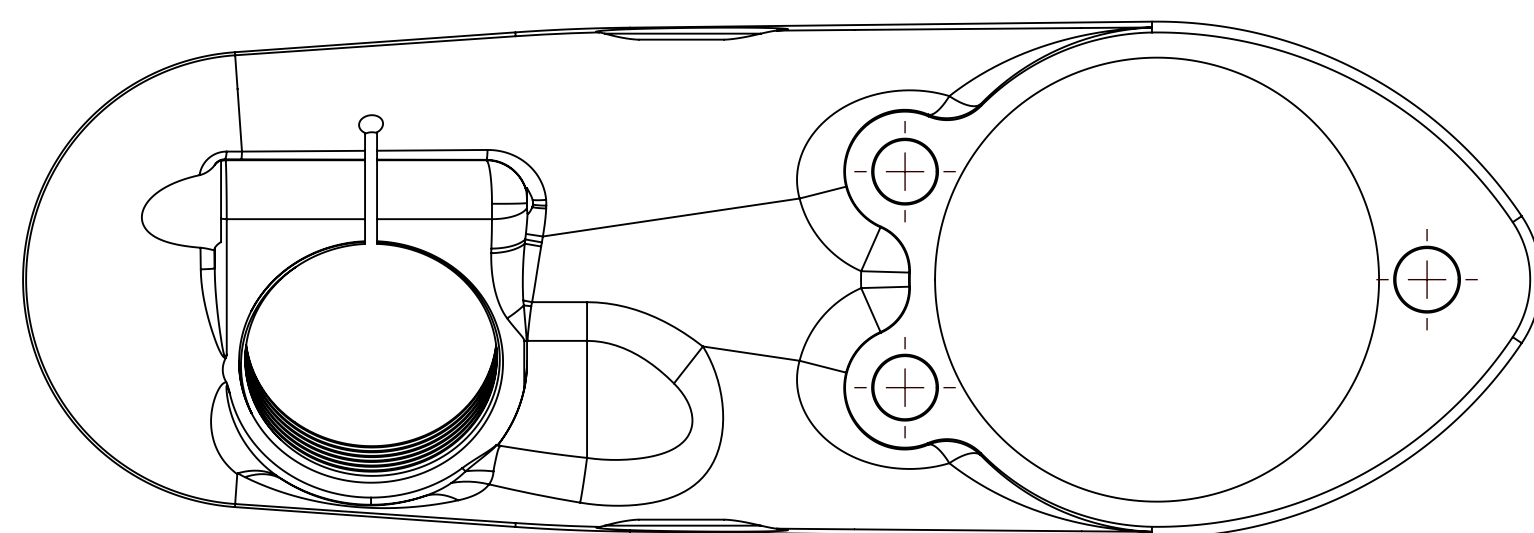
SECTION A-A



SECTION D-D



SECTION F-F



Wright J-5 Whirlwind
 Intake & Exhaust Rocker Supports.
 J Riend 23dec23

8

7

6

5

4

3

2

1