

8

7

6

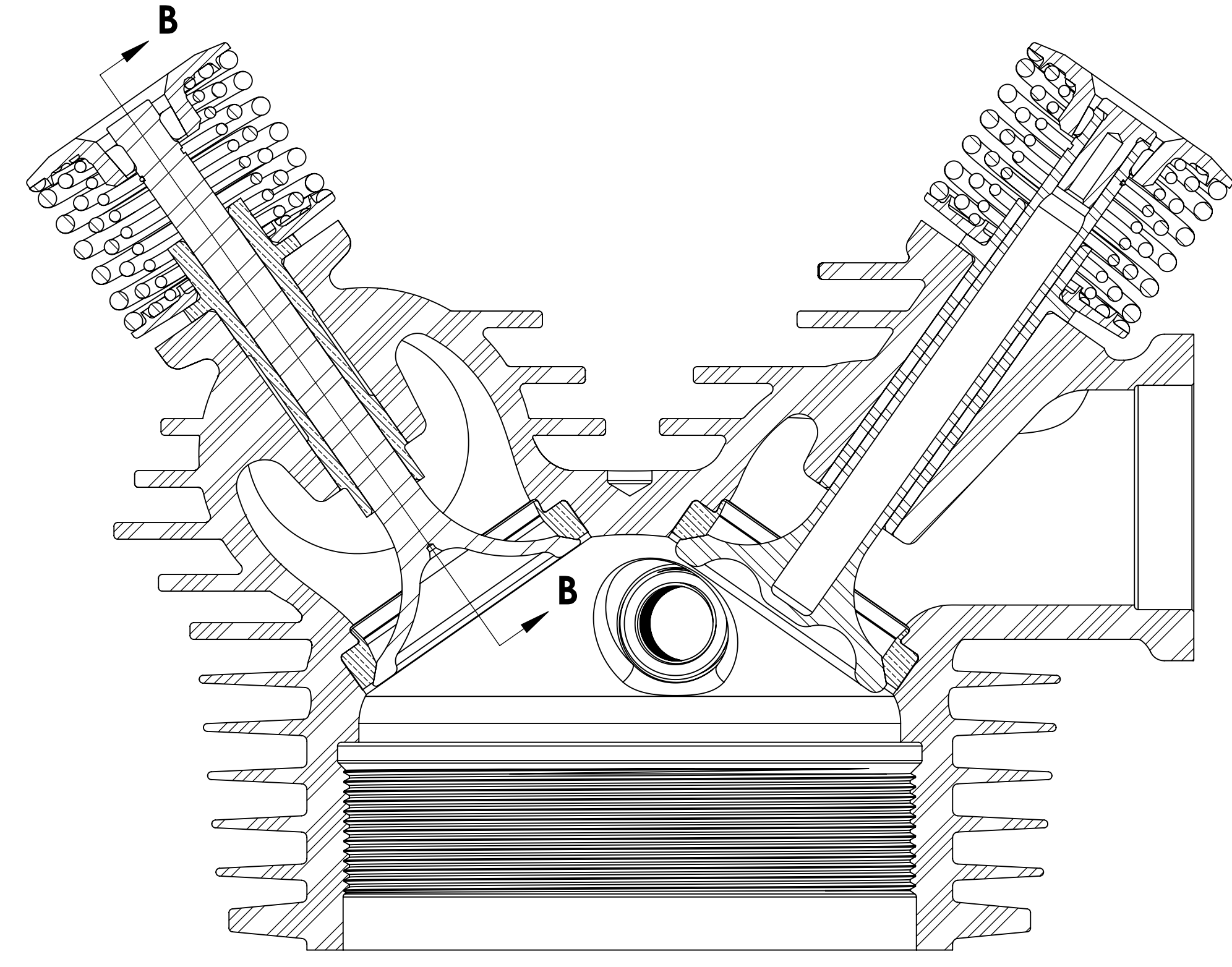
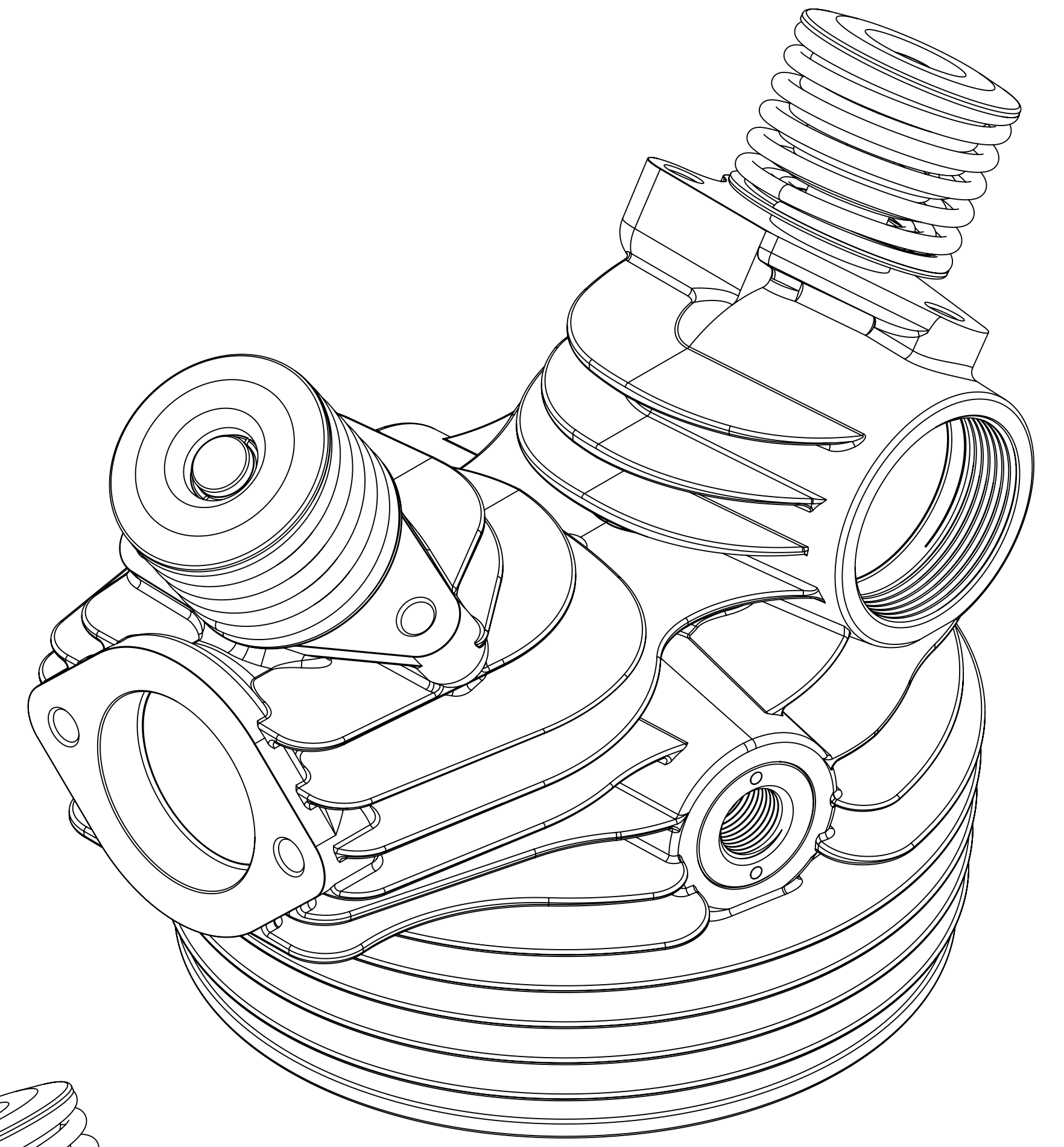
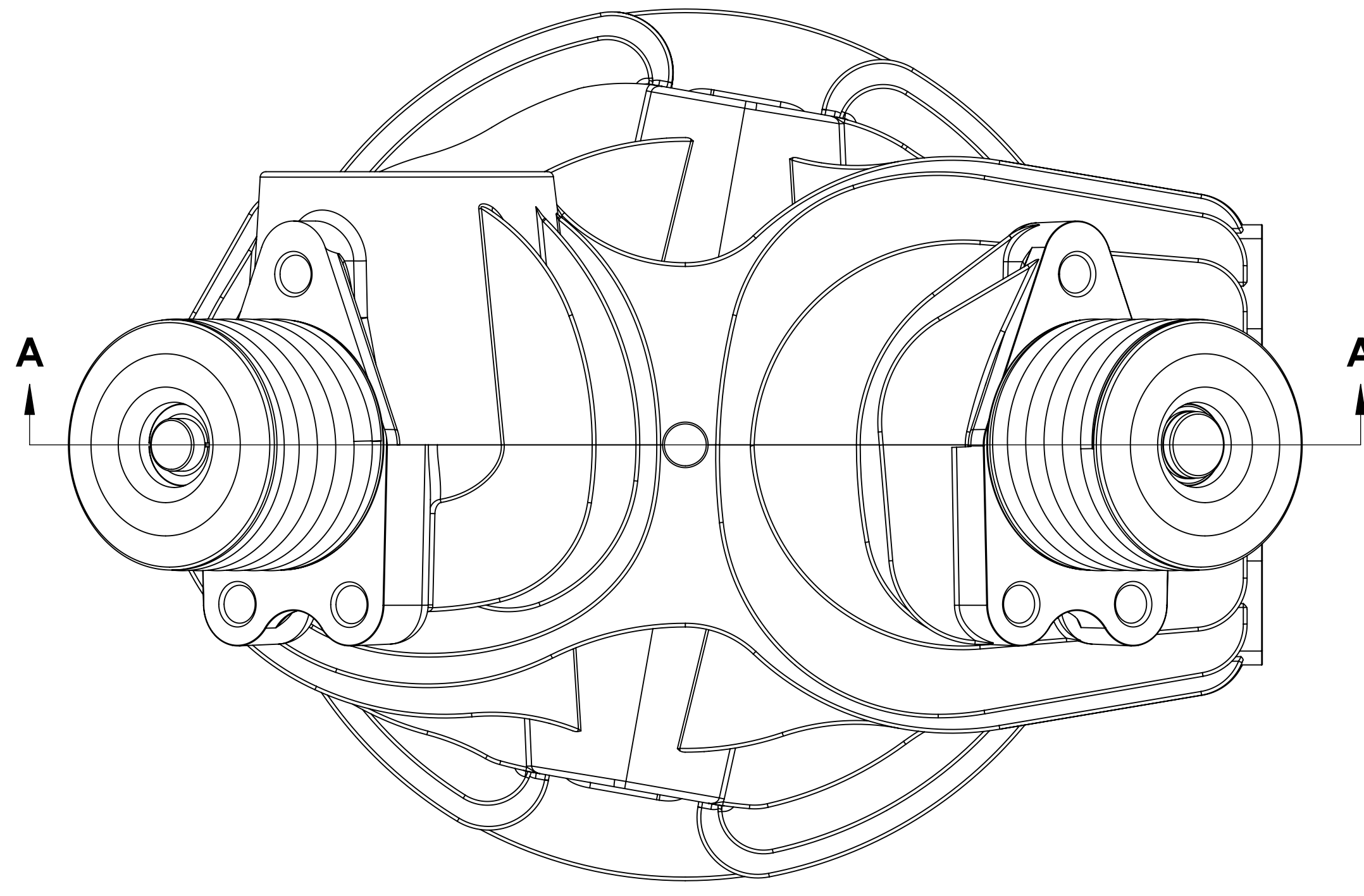
5

4

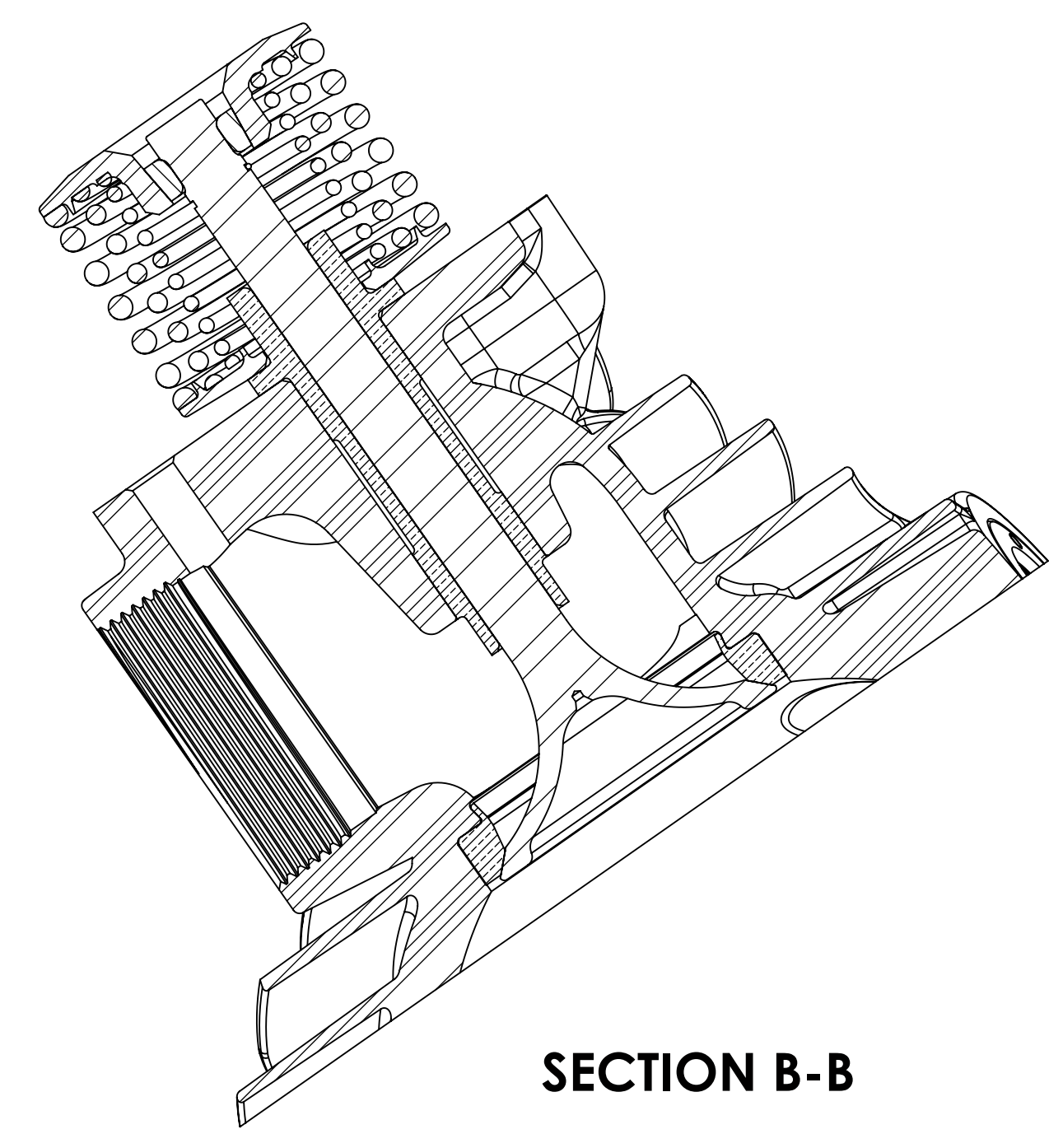
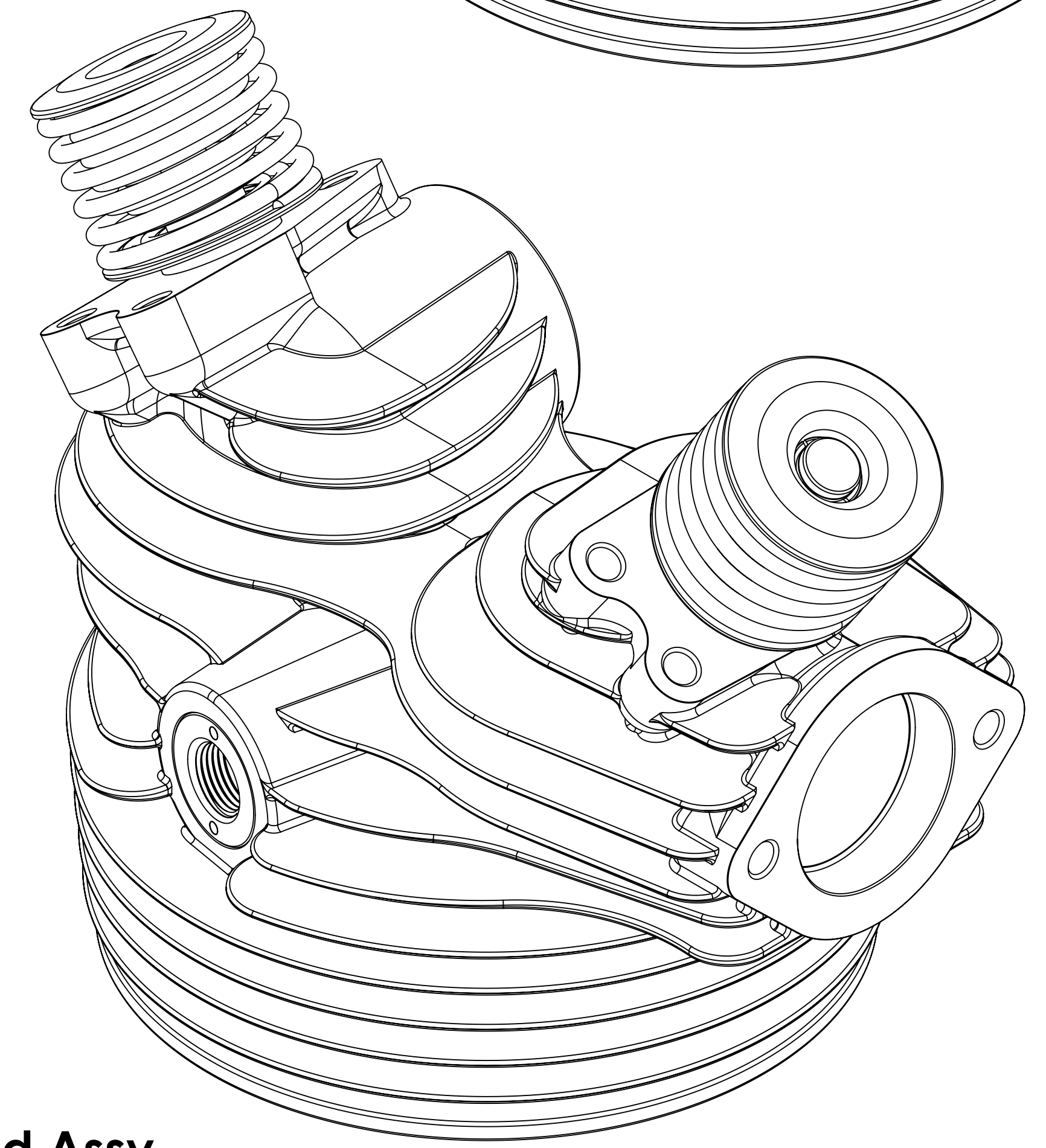
3

2

1



SECTION A-A



SECTION B-B

**Wright J-5 Whirlwind Cylinder Head Assy.
With Valves & Springs.
J Riend 13dec23**

8

7

6

5

4

3

2

1