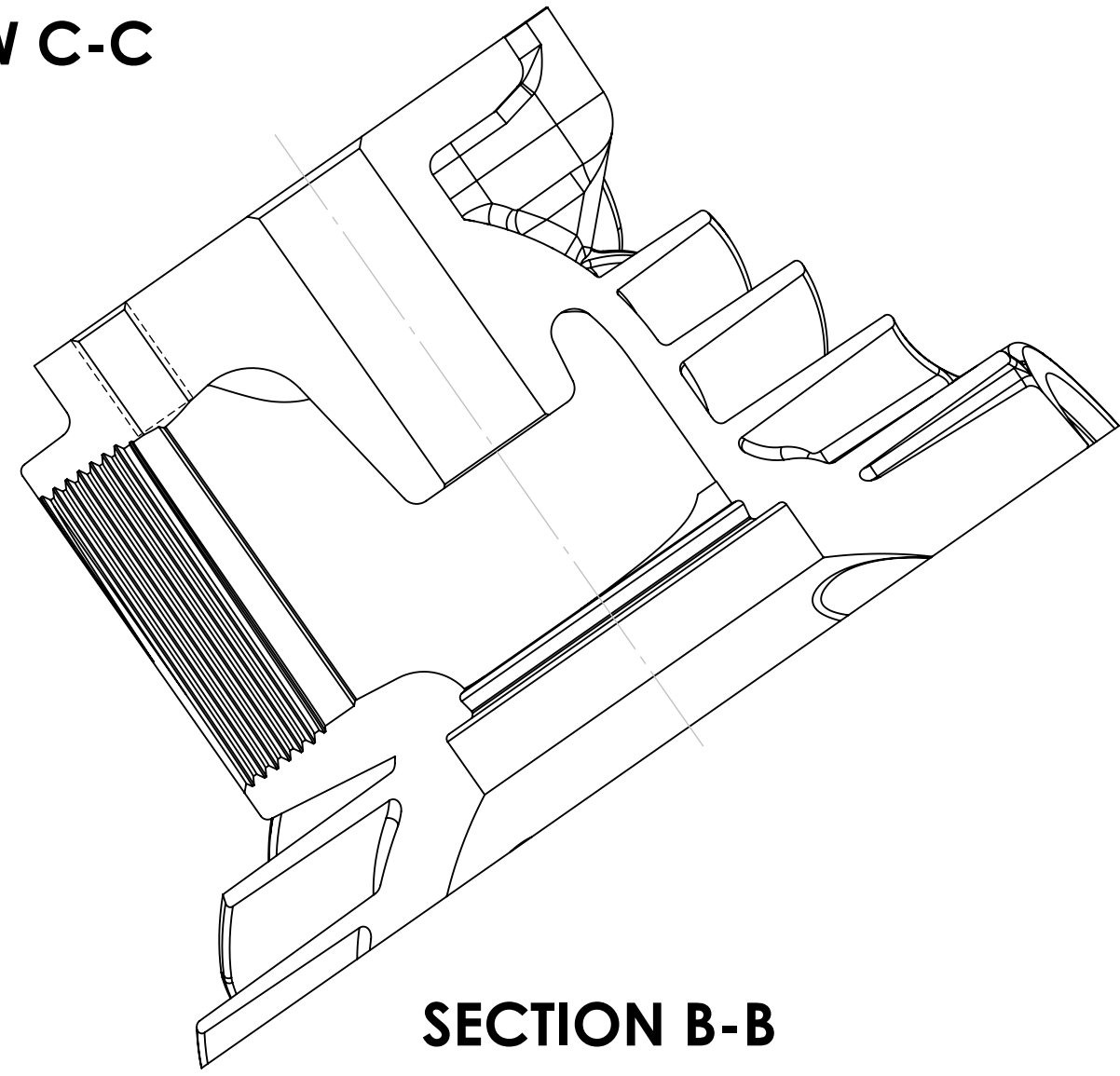
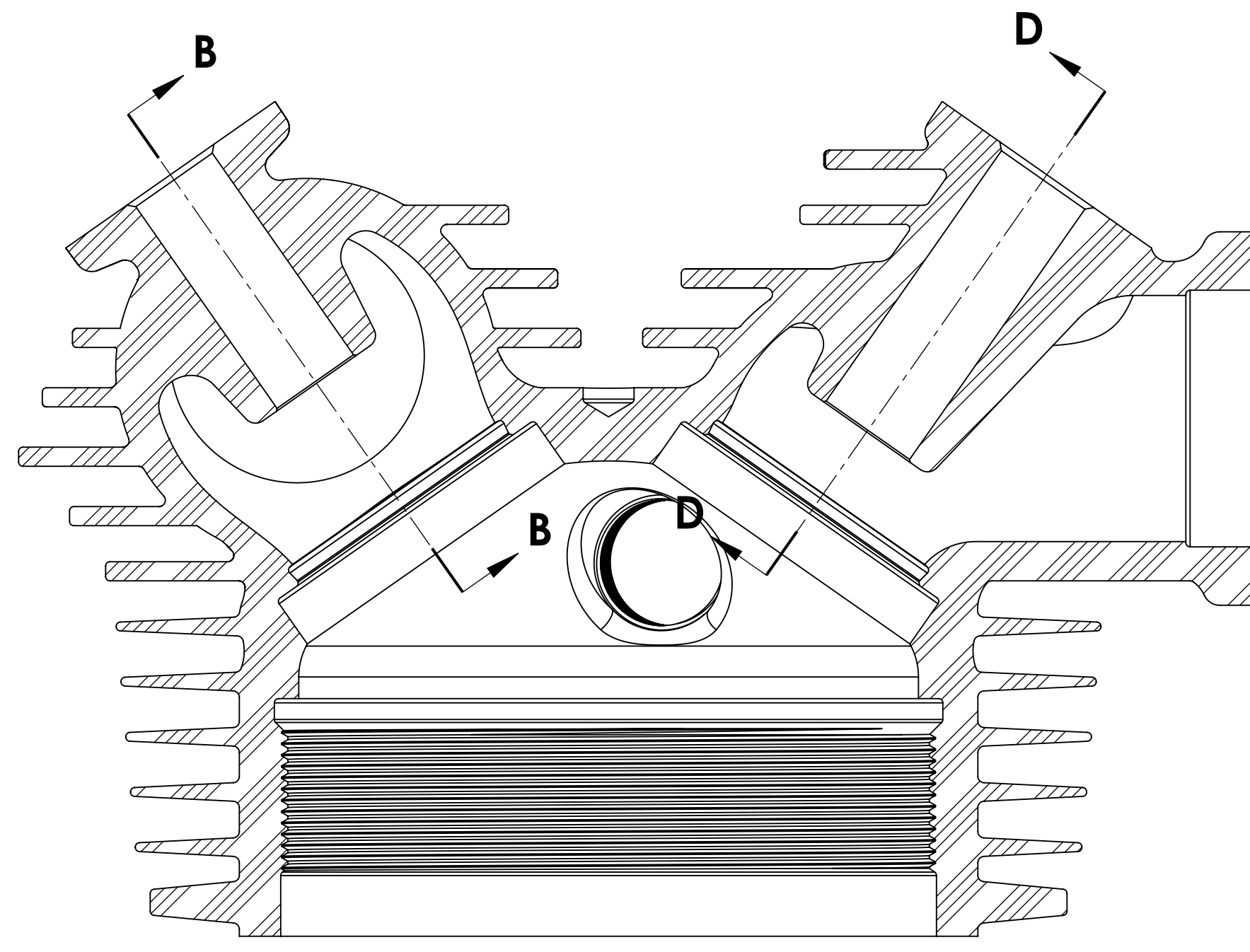


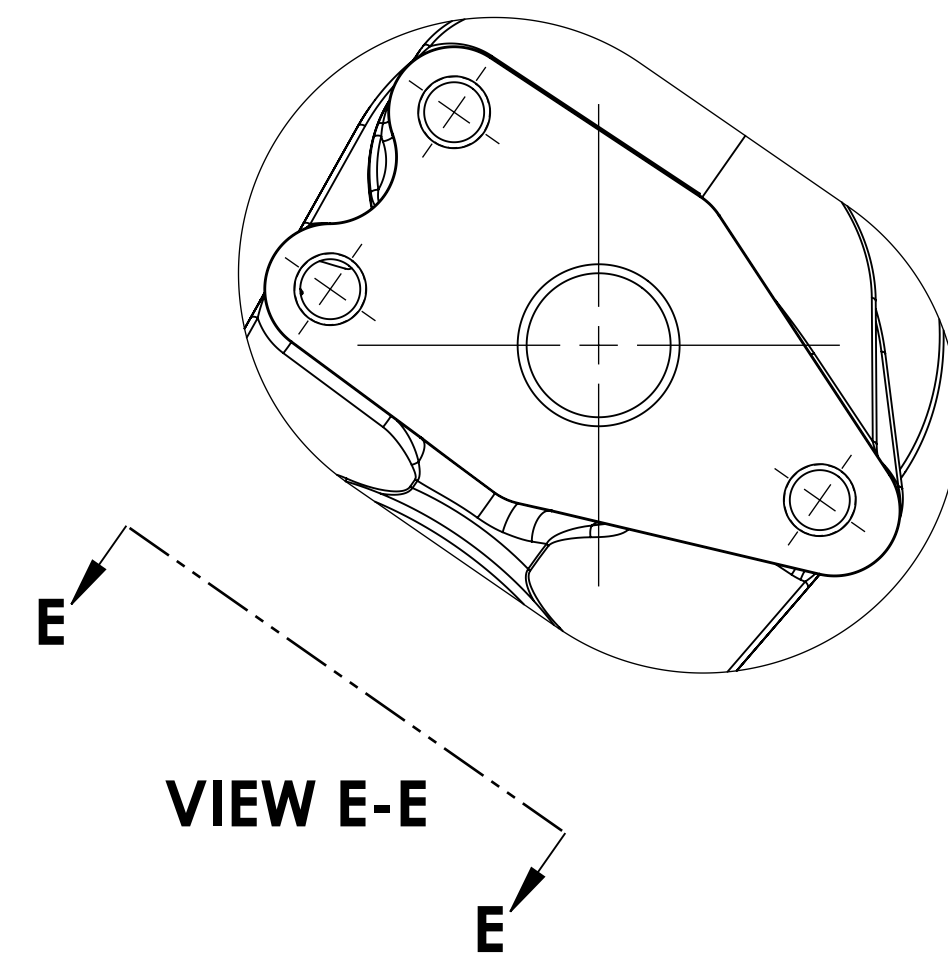
VIEW C-C



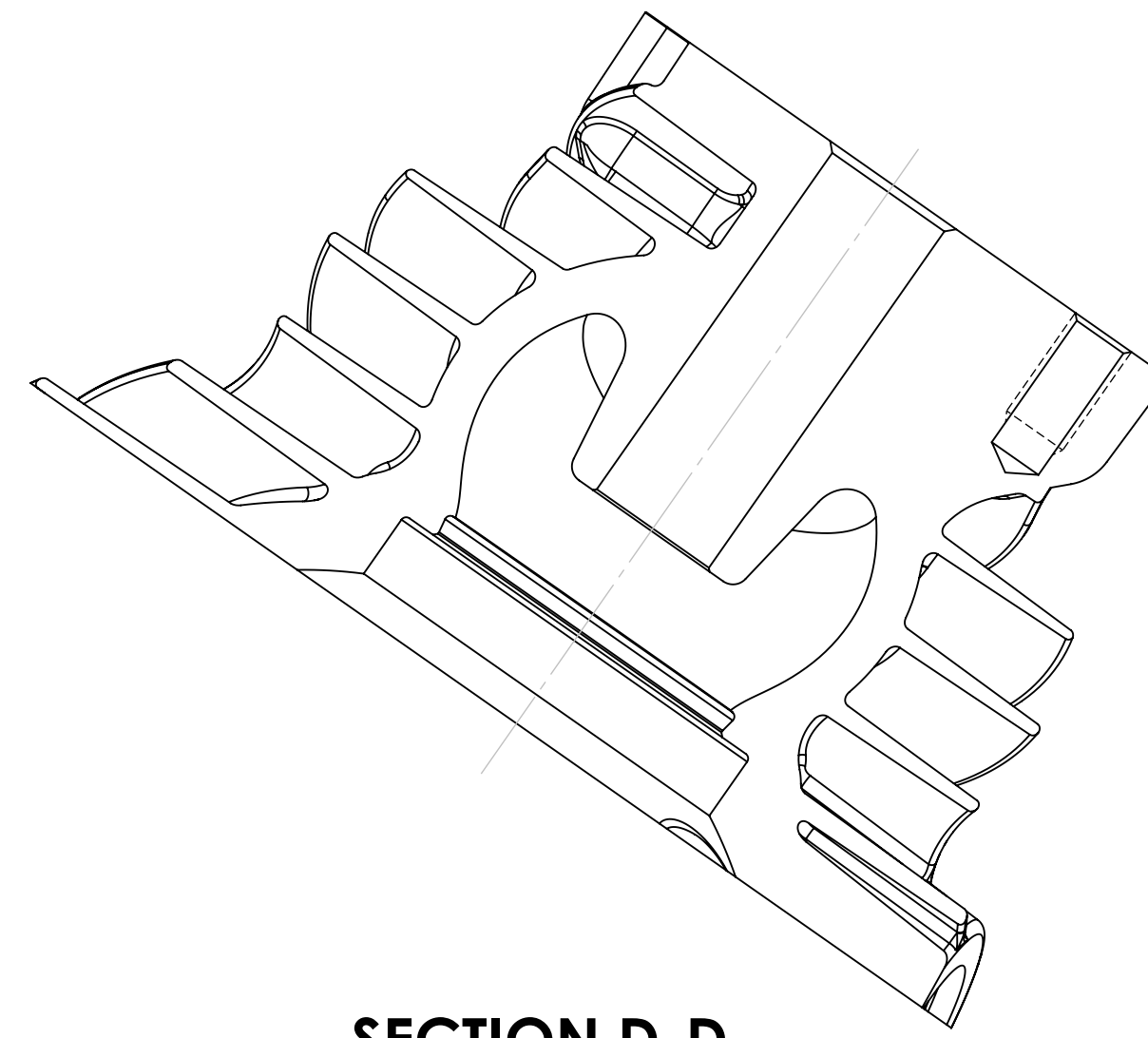
SECTION B-B



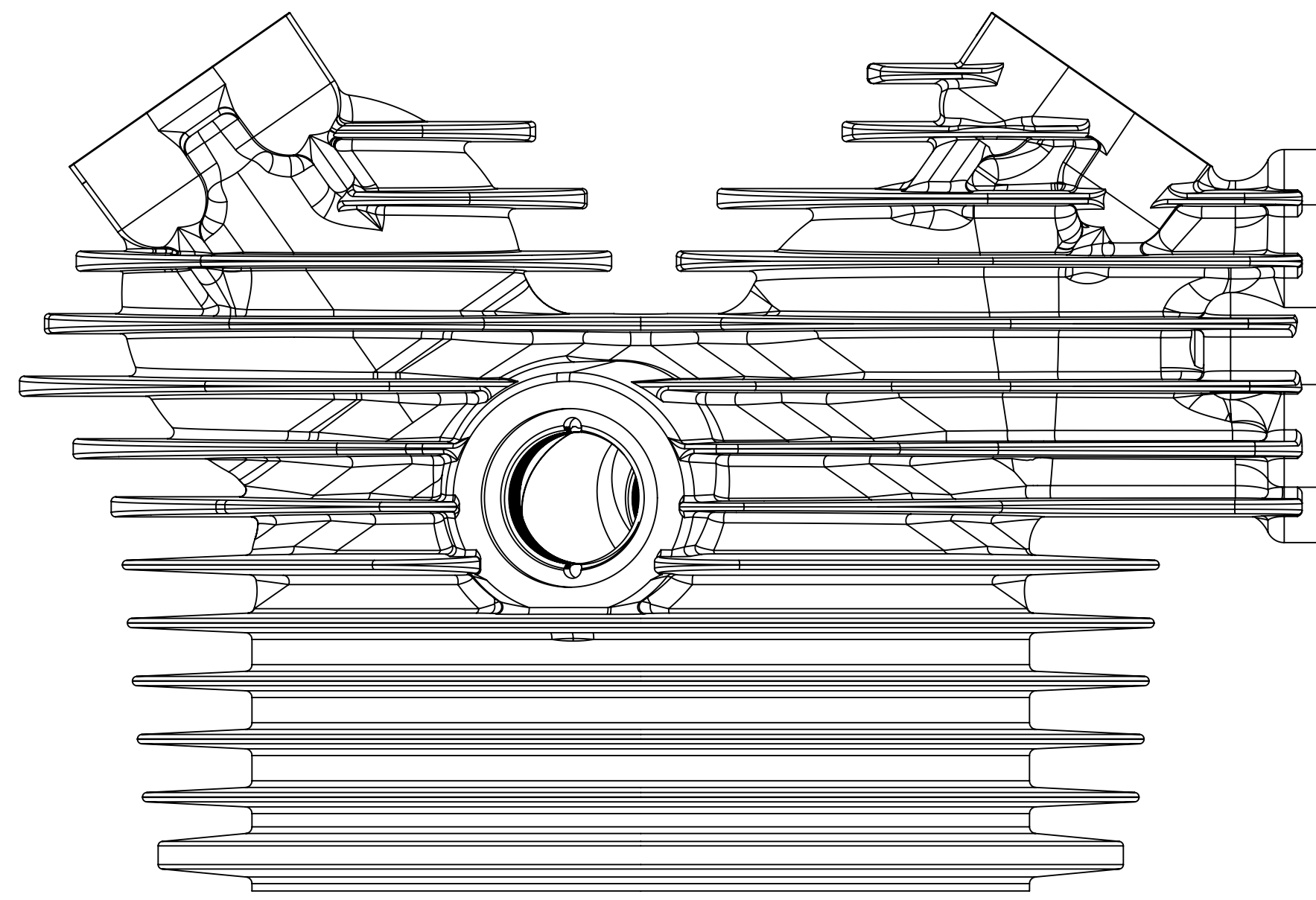
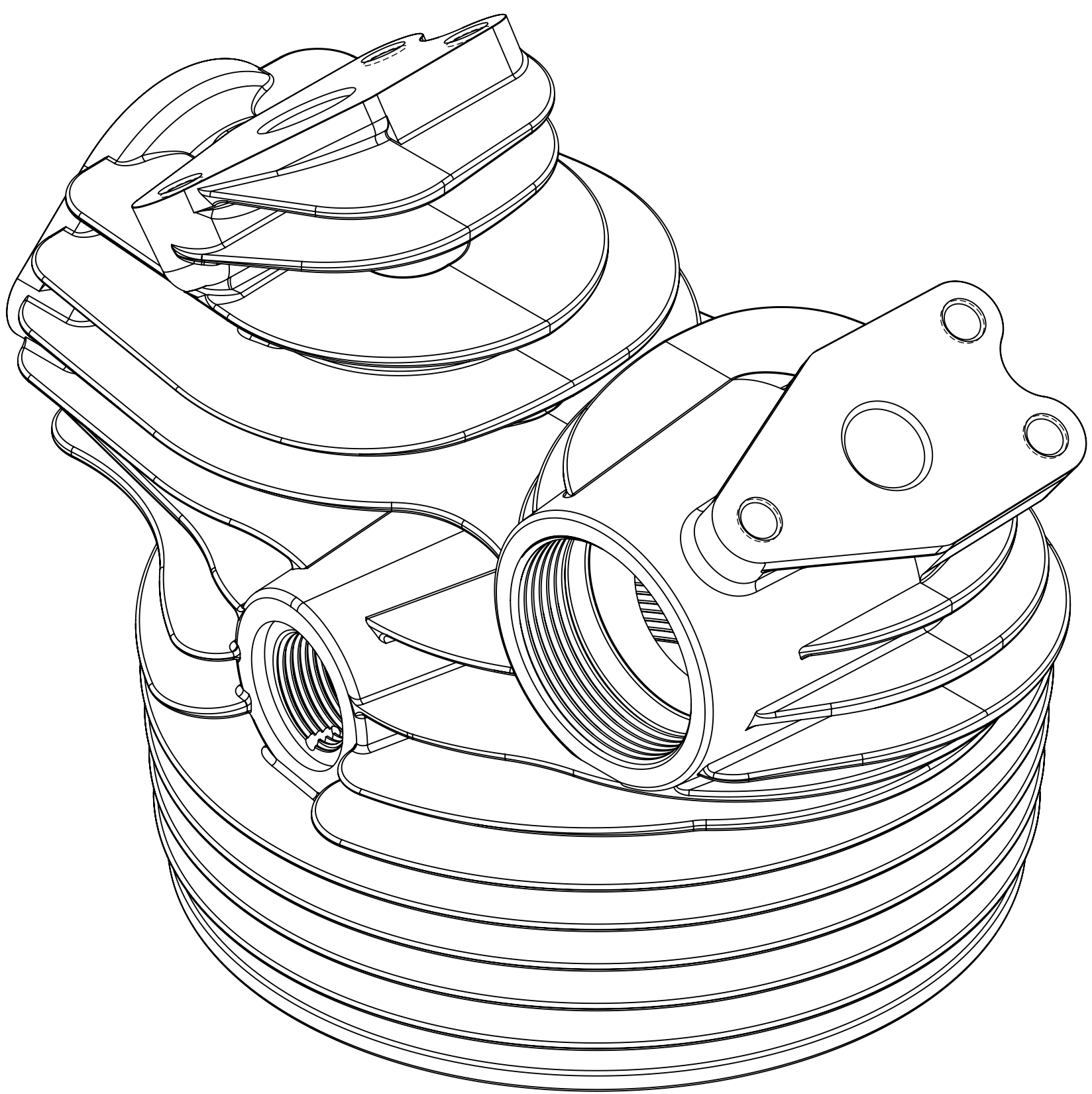
SECTION A-A



VIEW E-E



SECTION D-D



SECTION F-F

Wright J-5 Whirlwind Cylinder Head.
J Riend 14dec23